

# MAGNETIC TRACK LIGHTS



ABCLED 2024



# MAGNETIC GRILLE LIGHT

**Short**



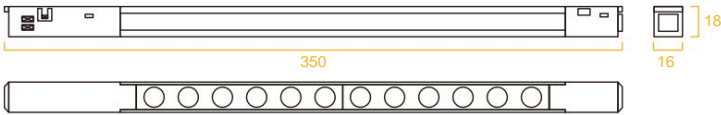
# Short



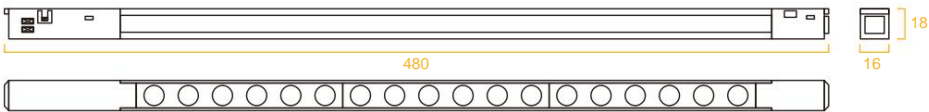
Short Style Line Grille Light

BLACK
  WHITE

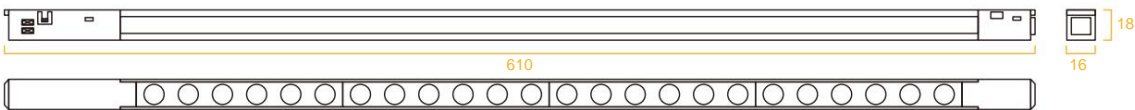
| Input | System Power | LED Power | CRI   | Beam Angle | CCT                |
|-------|--------------|-----------|-------|------------|--------------------|
| 48V   | 12/18/24W    | OSRAM     | Ray90 | 24°        | 3000K,4000K,More.. |



Model NO.: **HS26-12TA** System Power: **12W**



Model NO.: **HS26-18TA** System Power: **18W**



Model NO.: **HS26-24TA** System Power: **24W**

# Short



**Short Style-Line Floodlight**

BLACK
  WHITE

| Input | System Power | LED Power | CRI   | Beam Angle | CCT                |
|-------|--------------|-----------|-------|------------|--------------------|
| 48V   | 10/20/30W    | OSRAM     | Ray90 | 120°       | 3000K,4000K,More.. |



Model NO.: **HS26-300FA**      System Power: **10W**



Model NO.: **HS26-600FA**      System Power: **20W**



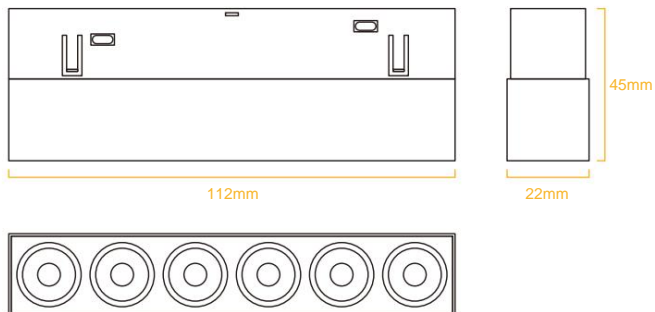
Model NO.: **HS26-900FA**      System Power: **30W**





# MAGNETIC GRILLE LIGHT

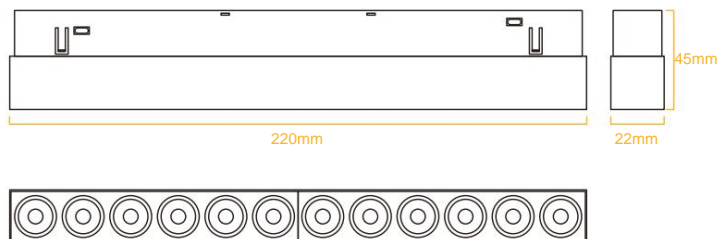




## Line grille light - 6W

BLACK
  WHITE

| Model NO. | Input | System Power | led Power | CRI  | Beam Angle | CCT                |
|-----------|-------|--------------|-----------|------|------------|--------------------|
| HS26-6T   | 48V   | 6W           | OSRAM     | Ra90 | 36°        | 3000K,4000K,More.. |



## Line grille light - 12W

BLACK
  WHITE

| Model NO. | Input | System Power | led Power | CRI  | Beam Angle | CCT                |
|-----------|-------|--------------|-----------|------|------------|--------------------|
| HS26-12T  | 48V   | 12W          | OSRAM     | Ra90 | 36°        | 3000K,4000K,More.. |

# MAGNETIC GRILLE LIGHT

Line grille light

■ BLACK □ WHITE



▶ 112mm

Model NO.: **HS26-6T**

System Power: **6W**



▶ 220mm

Model NO.: **HS26-12T**

System Power: **12W**



▶ 328mm

Model NO.: **HS26-18T**

System Power: **18W**



▶ 435mm

Model NO.: **HS26-24T**

System Power: **24W**



▶ 543mm

Model NO.: **HS26-30T**

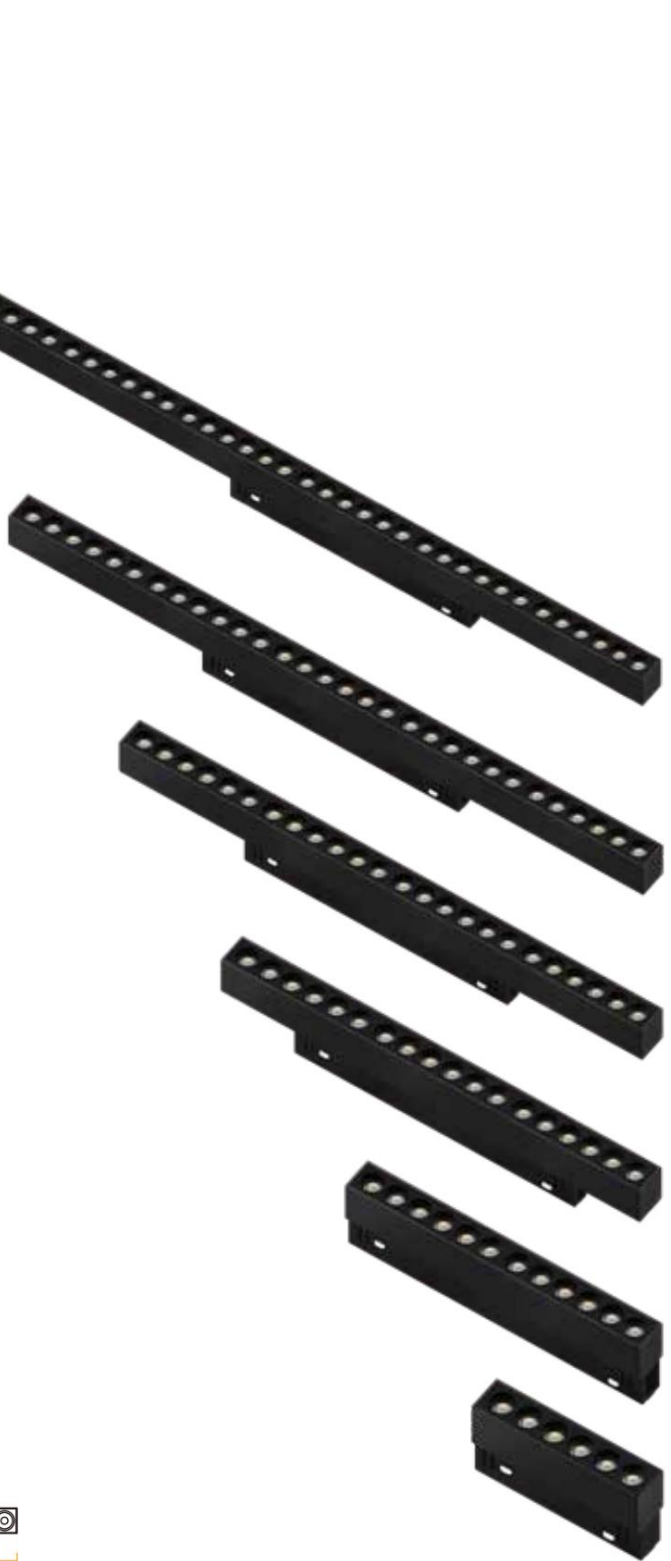
System Power: **30W**



▶ 1080mm

Model NO.: **HS26-60T**

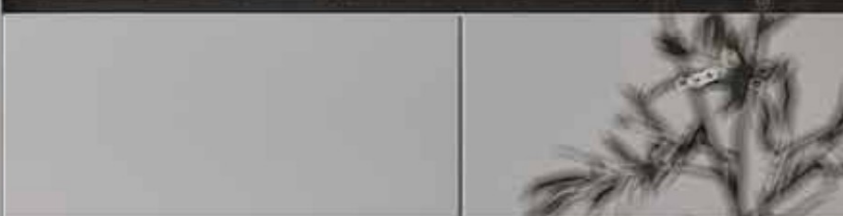
System Power: **45W**







12:20





# MAGNETIC WALL WASH LIGHT

6W/12W/18W/24W/30W/45W

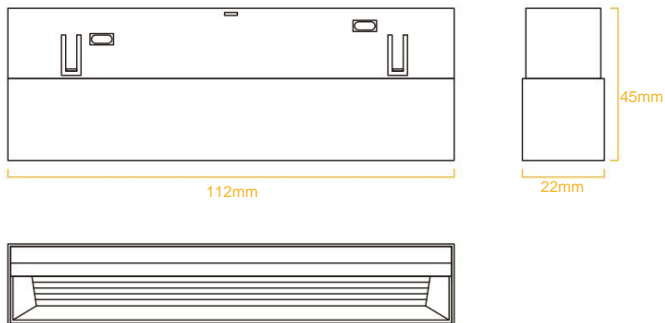


**OSRAM**  
LAMP BEADS



**90°**  
BEAM ANGLE

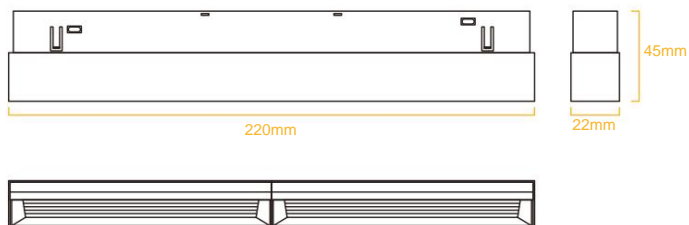
# S20 MAGNETIC TRACK LAMP



## Line polarized light - 6W

BLACK
  WHITE

| Model NO. | Input - | System Power | led Power | CRI - | Beam Angle                   | CCT - |
|-----------|---------|--------------|-----------|-------|------------------------------|-------|
| HS26-6TP  | 48V     | 6W           | OSRAM     | Ra90  | POLARIZED 3000K,4000K,More.. | -     |



## Line polarized light - 12W

BLACK
  WHITE

| Model NO. | Input - | System Power | led Power | CRI - | Beam Angle                   | CCT - |
|-----------|---------|--------------|-----------|-------|------------------------------|-------|
| HS26-12TP | 48V     | 12W          | OSRAM     | Ra90  | POLARIZED 3000K,4000K,More.. | -     |

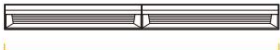
# MAGNETIC WALL WASH LIGHT

Line polarized light

■ BLACK □ WHITE



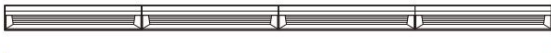
▶ 112mm  
Model NO.: **HS26-6TP** System Power: **6W**



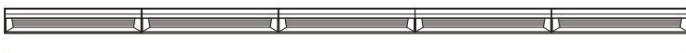
▶ 220mm  
Model NO.: **HS26-12TP** System Power: **12W**



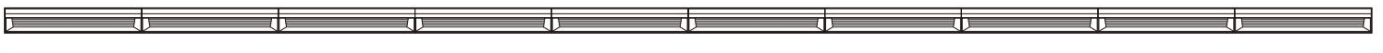
▶ 328mm  
Model NO.: **HS26-18TP** System Power: **18W**



▶ 435mm  
Model NO.: **HS26-24TP** System Power: **24W**



▶ 543mm  
Model NO.: **HS26-30TP** System Power: **30W**



▶ 1080mm  
Model NO.: **HS26-60TP** System Power: **45W**



# MAGNETIC FLOOD LIGHT

10W/20W/30W

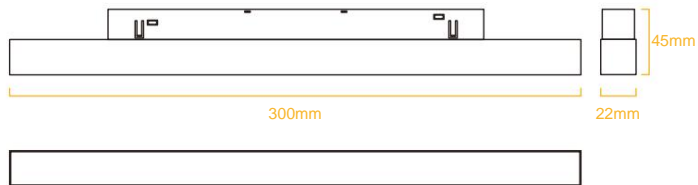


**OSRAM**  
LAMP BEADS



**120°**  
BEAM ANGLE

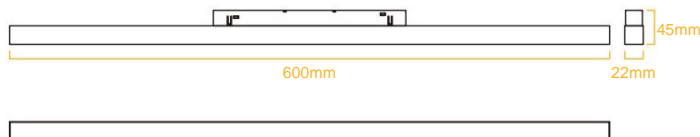
# S20 MAGNETIC TRACK LAMP



## Line floodlight - 10W

BLACK
  WHITE

| Model NO. | Input | System Power | led Power | CRI  | Beam Angle | CCT                |
|-----------|-------|--------------|-----------|------|------------|--------------------|
| HS26-300F | 48V   | 10W          | OSRAM     | Ra90 | 120°       | 3000K,4000K,More.. |



## Line floodlight - 20W

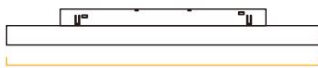
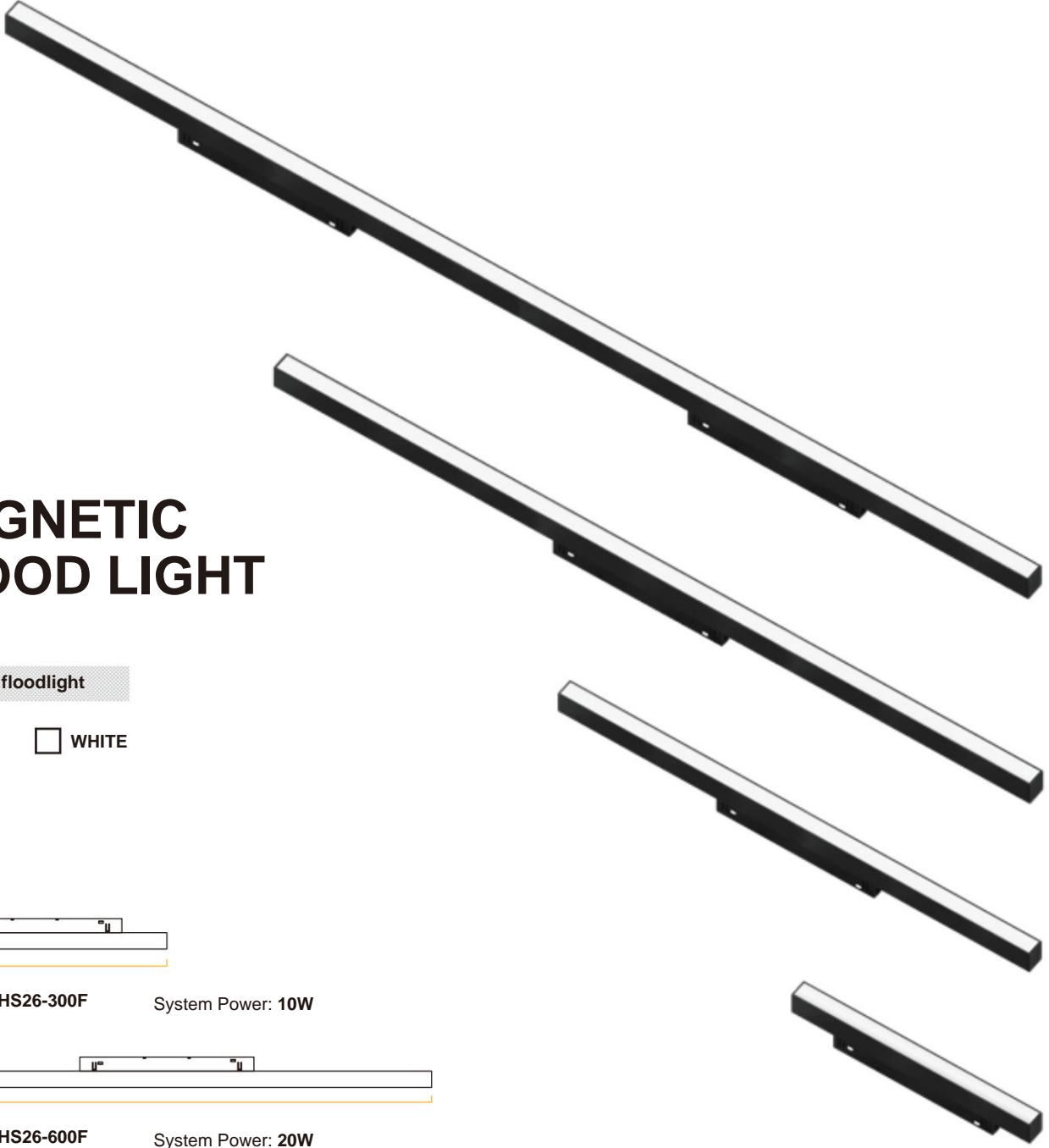
BLACK
  WHITE

| Model NO. | Input | System Power | led Power | CRI  | Beam Angle | CCT                |
|-----------|-------|--------------|-----------|------|------------|--------------------|
| HS26-600F | 48V   | 20W          | OSRAM     | Ra90 | 120°       | 3000K,4000K,More.. |

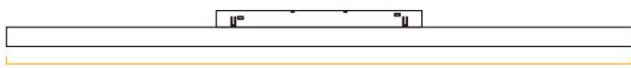
# MAGNETIC FLOOD LIGHT

Line floodlight

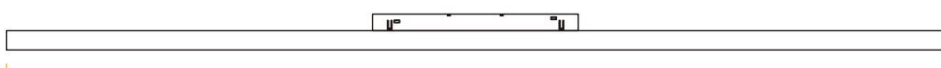
■ BLACK □ WHITE



▶ 300mm  
Model NO.: **HS26-300F**      System Power: **10W**



▶ 600mm  
Model NO.: **HS26-600F**      System Power: **20W**

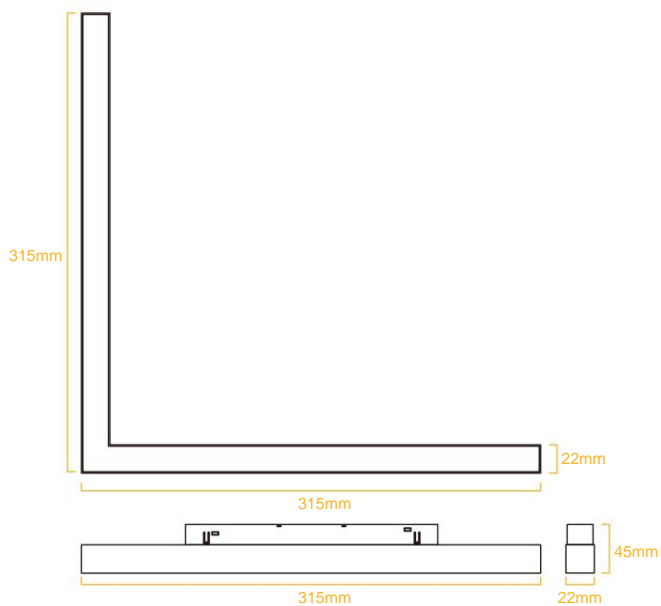


▶ 900mm  
Model NO.: **HS26-900F**      System Power: **30W**



▶ 1200mm  
Model NO.: **HS26-1200F**      System Power: **40W**

# S20 MAGNETIC TRACK LAMP



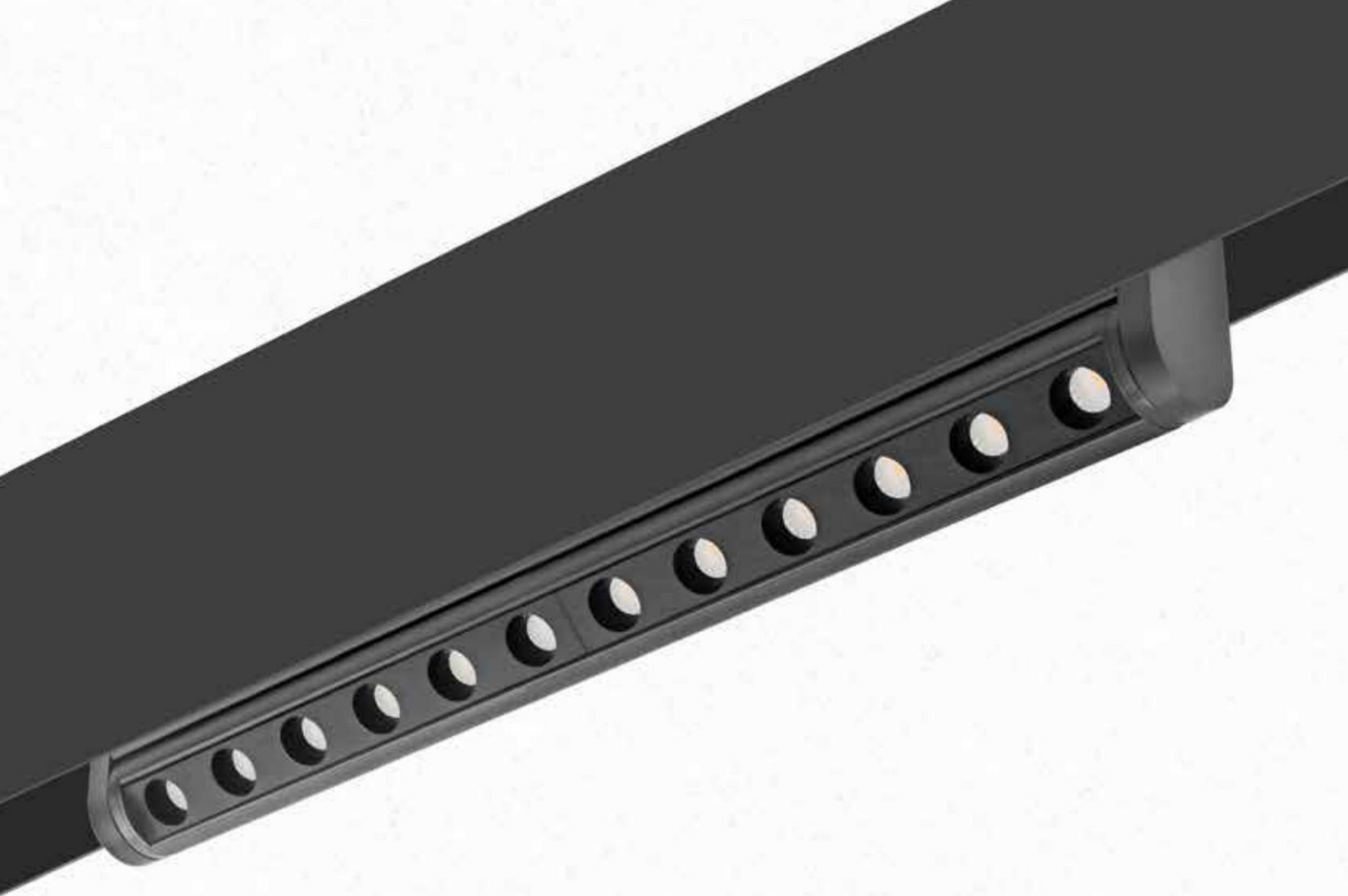
L-shaped floodlight - 20W

BLACK
  WHITE

| Model NO.   | Input | System Power | led Power | CRI  | Beam Angle | CCT                |
|-------------|-------|--------------|-----------|------|------------|--------------------|
| HS26-L-300F | 48V   | 20W          | OSRAM     | Ra90 | 120°       | 3000K,4000K,More.. |





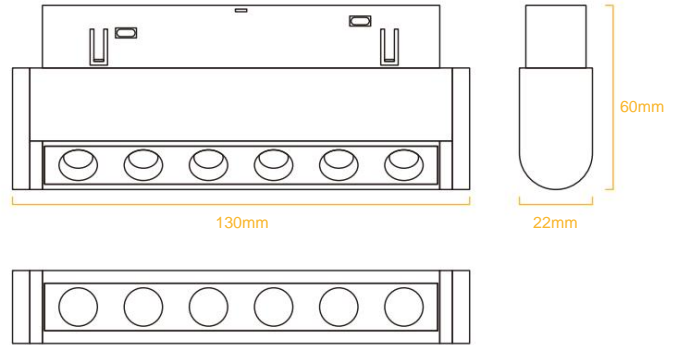


## MAGNETIC GRILLE LIGHT



**OSRAM**  
LAMP BEADS

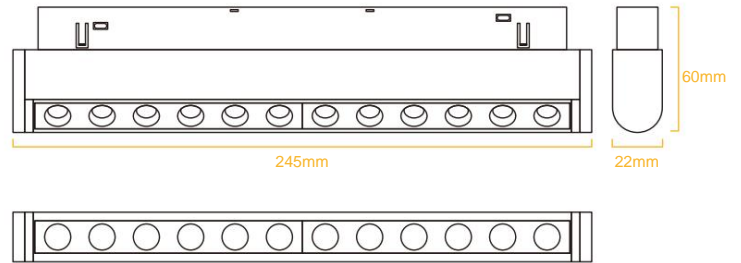
# S20 MAGNETIC TRACK LAMP



## Line folding grille light 6W

BLACK
  WHITE

| Model NO. | Input | System Power | led Power | CRI  | Beam Angle | CCT                |
|-----------|-------|--------------|-----------|------|------------|--------------------|
| HS26-6TX  | 48V   | 6W           | OSRAM     | Ra90 | 24°        | 3000K,4000K,More.. |



## Line folding grille light 12W

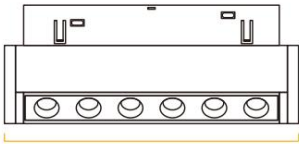
BLACK
  WHITE

| Model NO. | Input | System Power | led Power | CRI  | Beam Angle | CCT                |
|-----------|-------|--------------|-----------|------|------------|--------------------|
| HS26-12TX | 48V   | 12W          | OSRAM     | Ra90 | 24°        | 3000K,4000K,More.. |

# MAGNETIC GRILLE LIGHT

Line folding grille light

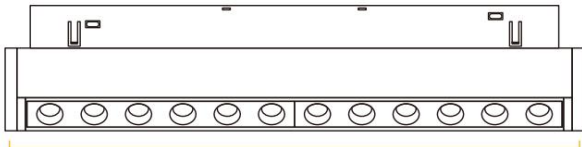
■ BLACK □ WHITE



▶ 130mm

Model NO.: **HS26-6TX**

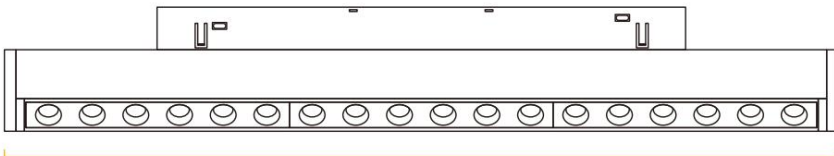
System Power: **6W**



▶ 245mm

Model NO.: **HS26-12TX**

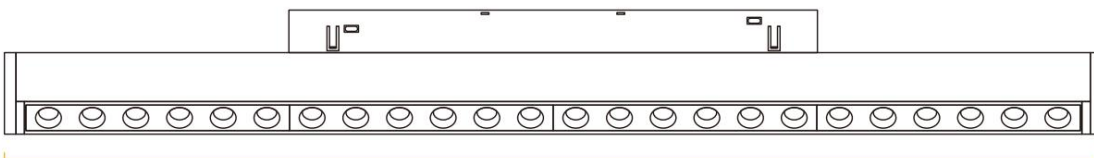
System Power: **12W**



▶ 360mm

Model NO.: **HS26-18TX**

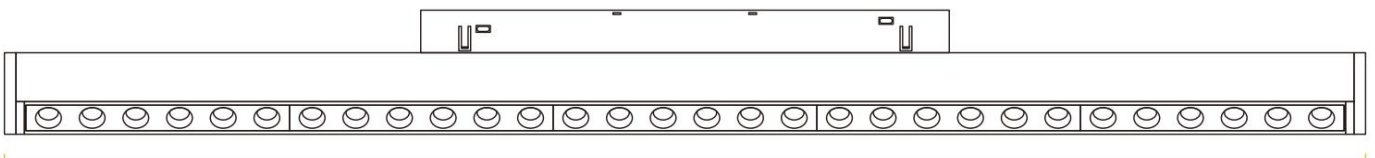
System Power: **18W**



▶ 475mm

Model NO.: **HS26-24TX**

System Power: **24W**

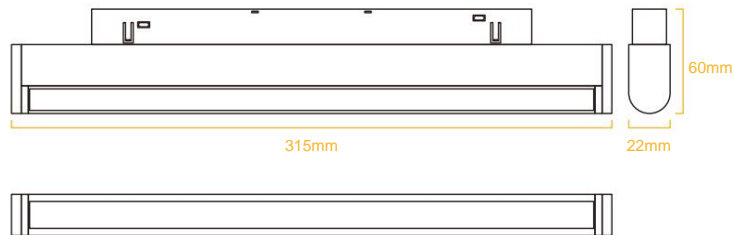


▶ 585mm

Model NO.: **HS26-30TX**

System Power: **30W**

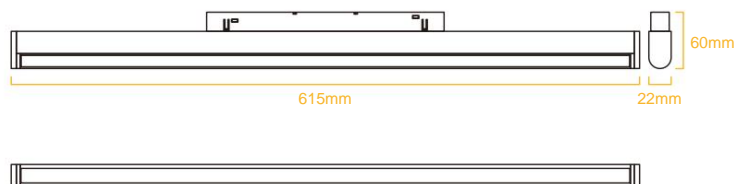
# S20 MAGNETIC TRACK LAMP



## Line folding floodlight10W

BLACK
  WHITE

| Model NO.  | Input | System Power | led Power | CRI  | Beam Angle | CCT                |
|------------|-------|--------------|-----------|------|------------|--------------------|
| HS26-300FX | 48V   | 10W          | OSRAM     | Ra90 | 120°       | 3000K,4000K,More.. |



## Line folding floodlight20W

BLACK
  WHITE

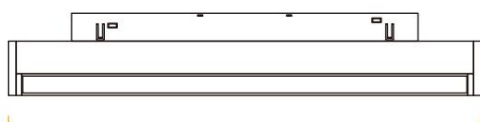
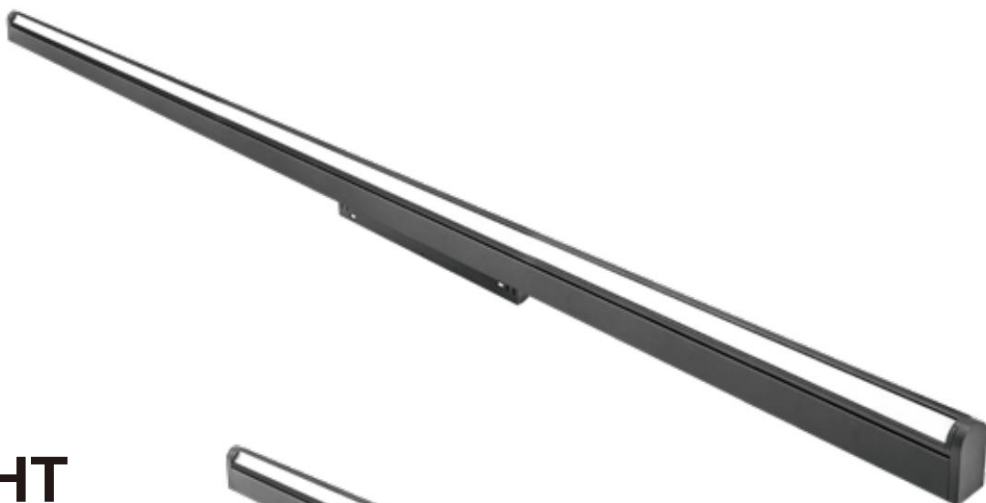
| Model NO.  | Input | System Power | led Power | CRI  | Beam Angle | CCT                |
|------------|-------|--------------|-----------|------|------------|--------------------|
| HS26-600FX | 48V   | 20W          | OSRAM     | Ra90 | 120°       | 3000K,4000K,More.. |



# MAGNETIC FLOOD LIGHT

Line folding floodlight

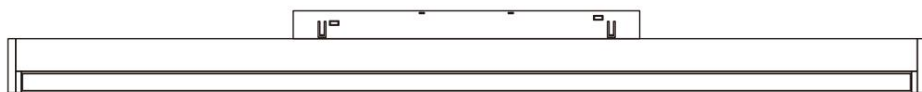
■ BLACK    □ WHITE



▶ 315mm

Model NO.: **HS26-300FX**

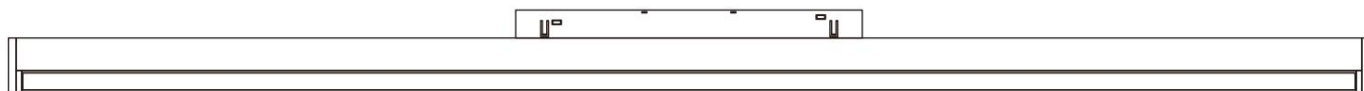
System Power: **10W**



▶ 615mm

Model NO.: **HS26-600FX**

System Power: **20W**

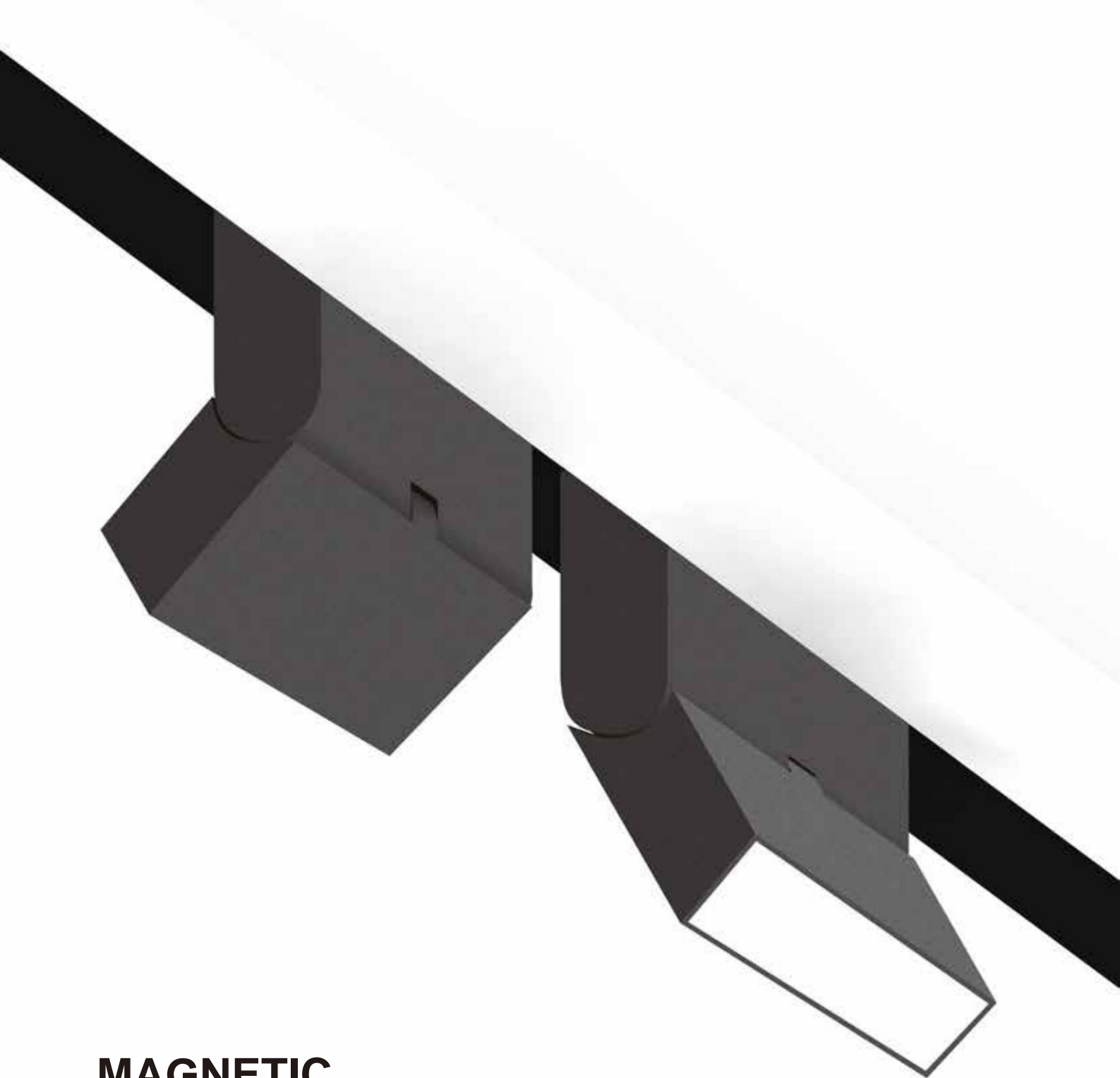


▶ 915mm

Model NO.: **HS26-900FX**

System Power: **30W**





# MAGNETIC FOLDING LIGHT



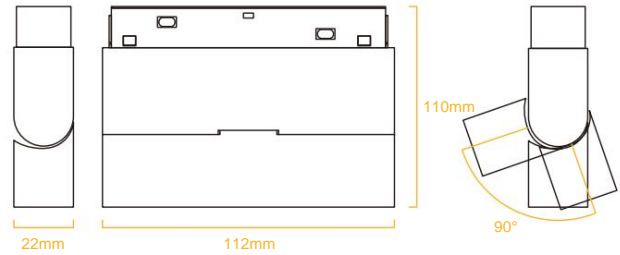
**OSRAM**  
LAMP BEADS



**120°**  
BEAM ANGLE



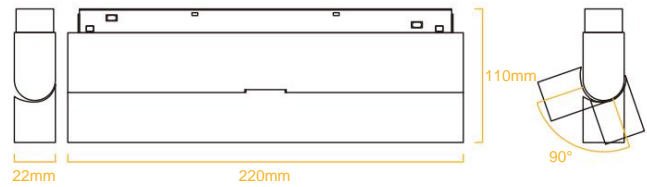
# S20 MAGNETIC TRACK LAMP



## Folding grille light - 6W

BLACK
  WHITE

| Model NO.   | Input - | System Power | led Power | CRI - | Beam Angle | CCT -              |
|-------------|---------|--------------|-----------|-------|------------|--------------------|
| HS-CX003-6T | 48V     | 6W           | OSRAM     | Ra90  | 36°        | 3000K,4000K,More.. |

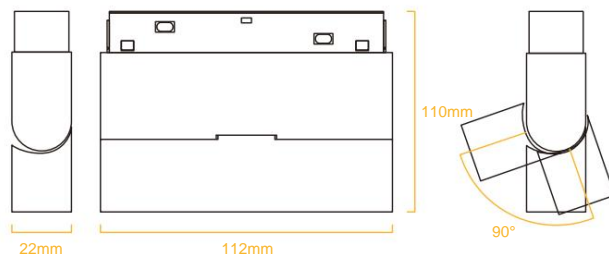


## Folding grille light - 12W

BLACK
  WHITE

| Model NO.    | Input - | System Power | led Power | CRI - | Beam Angle | CCT -              |
|--------------|---------|--------------|-----------|-------|------------|--------------------|
| HS-CX003-12T | 48V     | 12W          | OSRAM     | Ra90  | 36°        | 3000K,4000K,More.. |

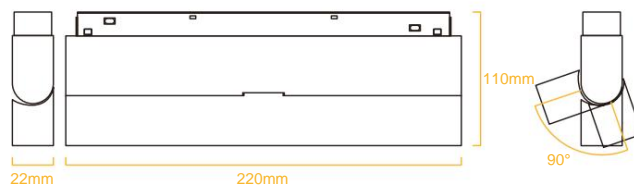
# S20 MAGNETIC TRACK LAMP



## Folding floodlight - 6W

BLACK
  WHITE

| Model NO.   | Input - | System Power | led Power | CRI - | Beam Angle | CCT -              |
|-------------|---------|--------------|-----------|-------|------------|--------------------|
| HS-CX003-6F | 48V     | 6W           | OSRAM     | Ra90  | 120°       | 3000K,4000K,More.. |

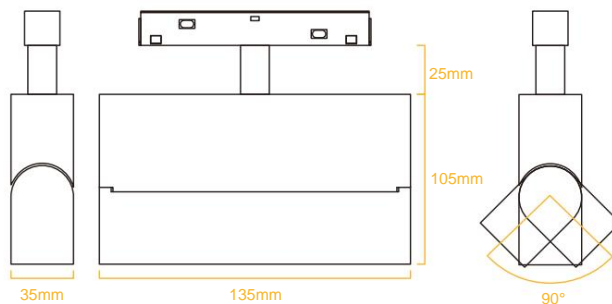


## Folding floodlight - 12W

BLACK
  WHITE

| Model NO.    | Input - | System Power | led Power | CRI - | Beam Angle | CCT -              |
|--------------|---------|--------------|-----------|-------|------------|--------------------|
| HS-CX003-12F | 48V     | 12W          | OSRAM     | Ra90  | 120°       | 3000K,4000K,More.. |

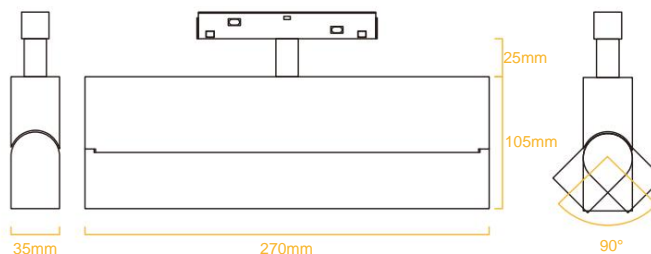
# S20 MAGNETIC TRACK LAMP



## Folding grille light with pole12W

BLACK
  WHITE

| Model NO.   | Input - | System Power | led Power | CRI - | Beam Angle | CCT -              |
|-------------|---------|--------------|-----------|-------|------------|--------------------|
| HS-CX003-5T | 48V     | 12W          | OSRAM     | Ra90  | 30°        | 3000K,4000K,More.. |

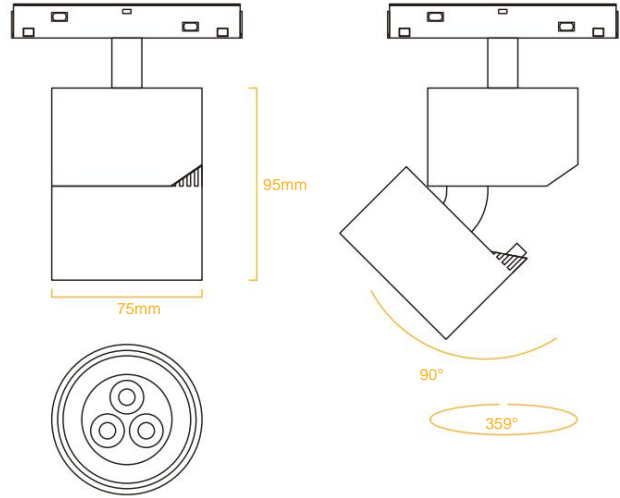


## Folding grille light with pole24W

BLACK
  WHITE

| Model NO.    | Input - | System Power | led Power | CRI - | Beam Angle | CCT -              |
|--------------|---------|--------------|-----------|-------|------------|--------------------|
| HS-CX003-10T | 48V     | 24W          | OSRAM     | Ra90  | 30°        | 3000K,4000K,More.. |

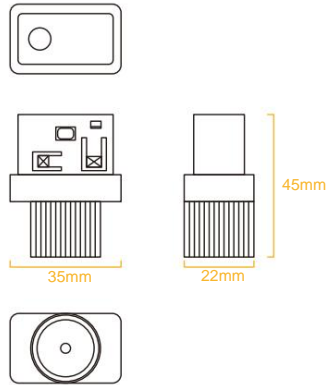
# S20 MAGNETIC TRACK LAMP



## Folding lamp-3 bead spotlight

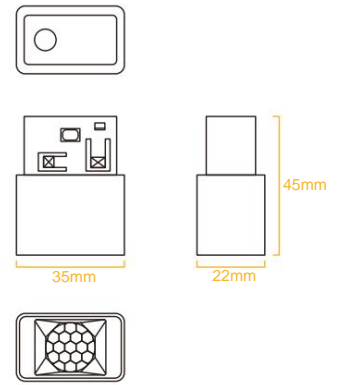
BLACK
  WHITE

| Model NO. | Input - | System Power | led Power | CRI - | Beam Angle | CCT -              |
|-----------|---------|--------------|-----------|-------|------------|--------------------|
| HS-CXM75  | 48V     | 9W           | OSRAM     | Ray90 | 24°        | 3000K,4000K,More.. |



## Spotlight - cylinder

BLACK
  WHITE



## Spotlight-Honeycomb

| Model NO.           | Input - | System Power | led Power | CRI - | Beam Angle | CCT -              |
|---------------------|---------|--------------|-----------|-------|------------|--------------------|
| HS26-HX01/HS26-HX02 | 48V     | 3W           | OSRAM     | Ray90 | 24°        | 3000K,4000K,More.. |





# MAGNETIC SPOT LIGHT



**Bridgelux**  
LAMP BEADS



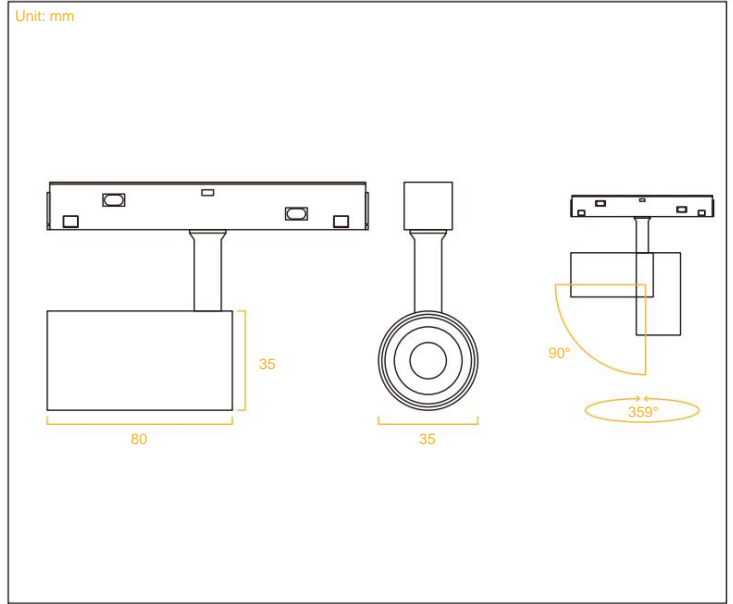
**24°**  
BEAM ANGLE

# S20 MAGNETIC TRACK LAMP



Track spotlight - 35 caliber

BLACK
  WHITE

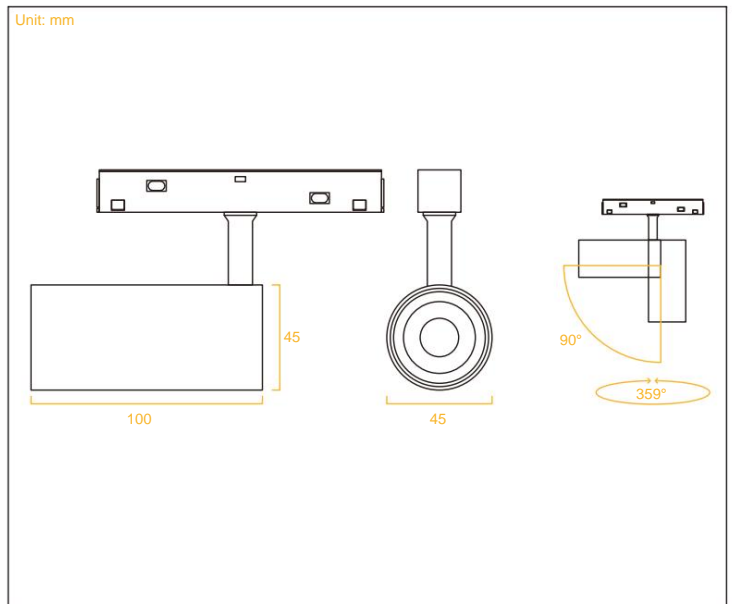


| Model NO. | Input - | System Power | led Power | CRI - | Beam Angle | CCT -              |
|-----------|---------|--------------|-----------|-------|------------|--------------------|
| HS-CX035  | 48V     | 7W           | Bridgelux | Ra90  | 24°        | 3000K,4000K,More.. |



Track spotlight - 45 caliber

BLACK
  WHITE



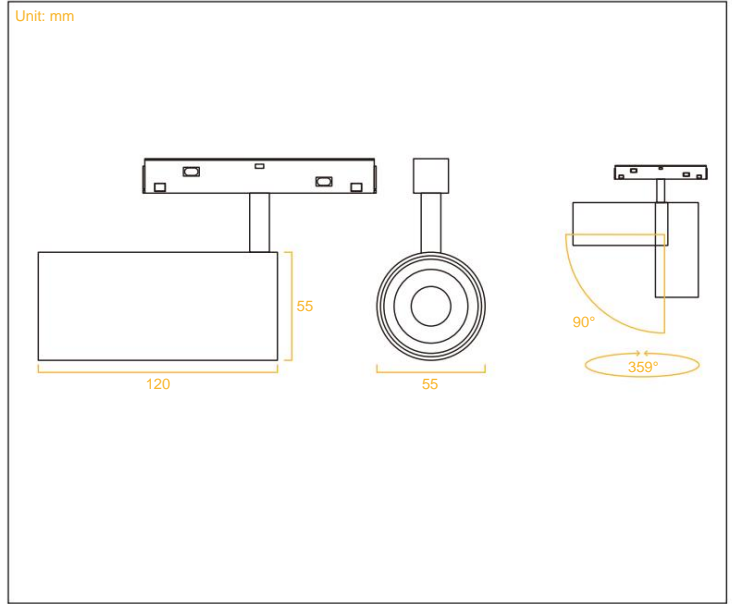
| Model NO. | Input - | System Power | led Power | CRI - | Beam Angle | CCT -              |
|-----------|---------|--------------|-----------|-------|------------|--------------------|
| HS-CX045  | 48V     | 12W          | Bridgelux | Ra90  | 24°        | 3000K,4000K,More.. |

# S20 MAGNETIC TRACK LAMP



Track spotlight - 55 caliber

BLACK
  WHITE

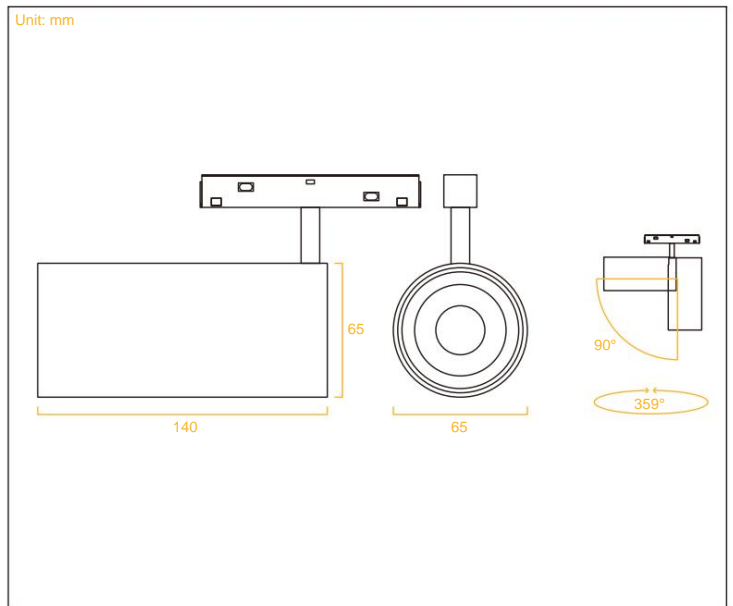


| Model NO. | Input - | System Power | led Power | CRI - | Beam Angle | CCT -              |
|-----------|---------|--------------|-----------|-------|------------|--------------------|
| HS-CX055  | 48V     | 18W          | Bridgelux | Ra90  | 24°        | 3000K,4000K,More.. |



Track spotlight - 65 caliber

BLACK
  WHITE



| Model NO. | Input - | System Power | led Power | CRI - | Beam Angle | CCT -              |
|-----------|---------|--------------|-----------|-------|------------|--------------------|
| HS-CX065  | 48V     | 24W          | Bridgelux | Ra90  | 24°        | 3000K,4000K,More.. |

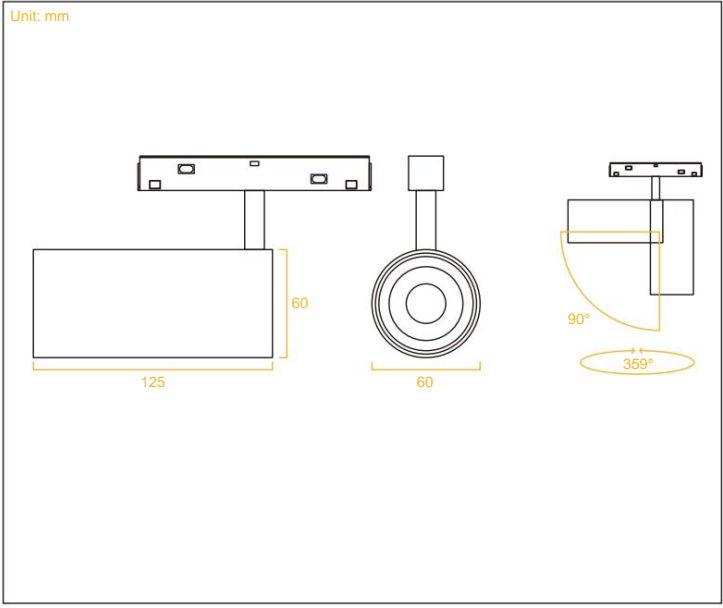


# S20 MAGNETIC TRACK LAMP



Track spotlight - 60 caliber

BLACK
  WHITE

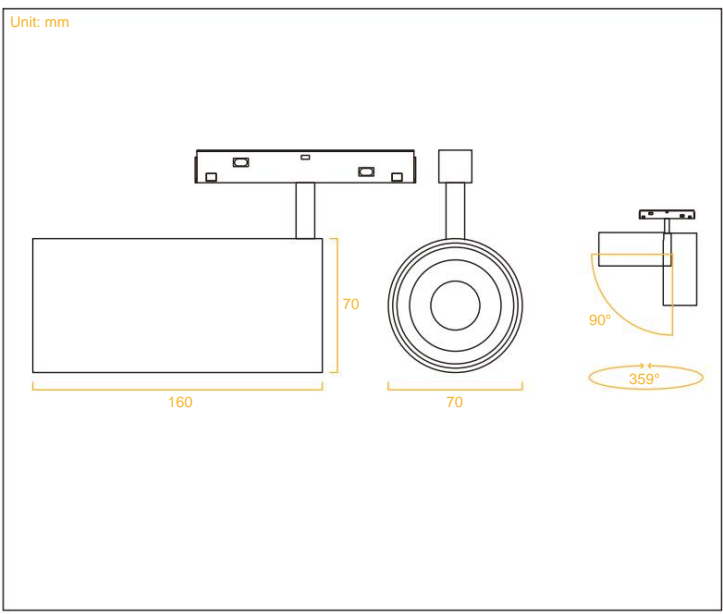


| Model NO. | Input - | System Power | led Power | CRI - | Beam Angle | CCT -              |
|-----------|---------|--------------|-----------|-------|------------|--------------------|
| HS-CX060  | 48V     | 18W          | Bridgelux | Ra90  | 24°        | 3000K,4000K,More.. |



Track spotlight - 70 caliber

BLACK
  WHITE



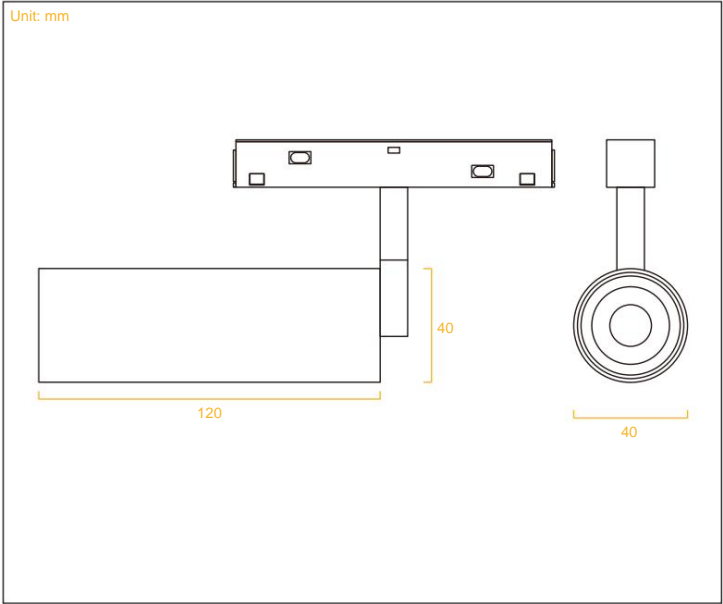
| Model NO. | Input - | System Power | led Power | CRI - | Beam Angle | CCT -              |
|-----------|---------|--------------|-----------|-------|------------|--------------------|
| HS-CX070  | 48V     | 24W          | Bridgelux | Ra90  | 24°        | 3000K,4000K,More.. |

# S20 MAGNETIC TRACK LAMP



Track spotlight - 40 caliber

BLACK
  WHITE

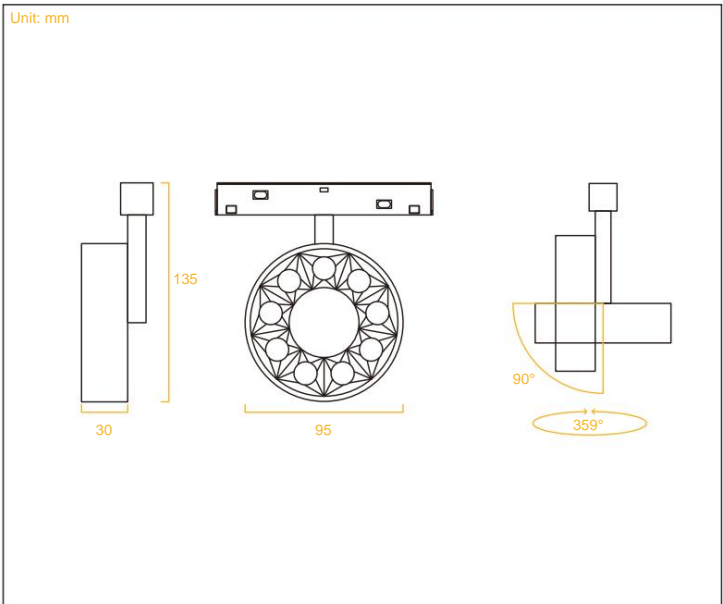


| Model NO. | Input - | System Power | led Power | CRI - | Beam Angle | CCT -              |
|-----------|---------|--------------|-----------|-------|------------|--------------------|
| HS-CX040  | 48V     | 7W           | Bridgelux | Ra90  | 24°        | 3000K,4000K,More.. |



Track grille light

BLACK
  WHITE



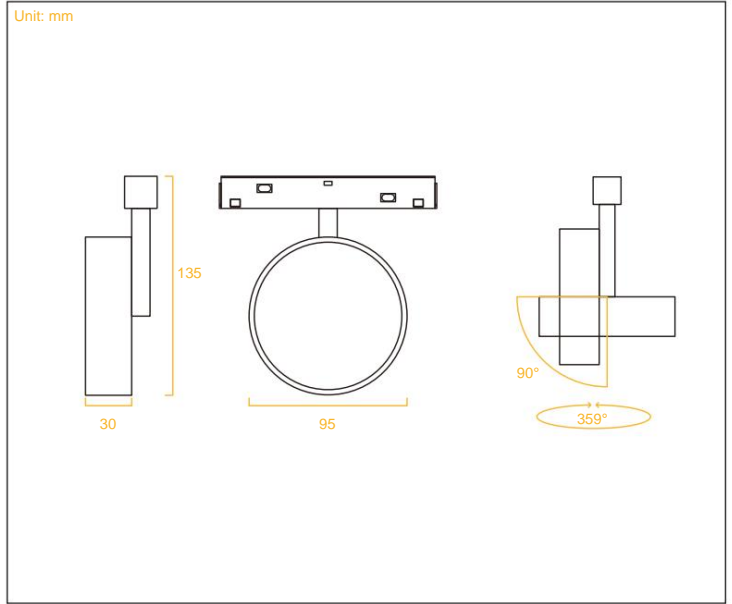
| Model NO. | Input - | System Power | led Power | CRI - | Beam Angle | CCT -              |
|-----------|---------|--------------|-----------|-------|------------|--------------------|
| HS-CXG90  | 48V     | 9W           | OSRAM     | Ra90  | 24°        | 3000K,4000K,More.. |

# S20 MAGNETIC TRACK LAMP



Track fill light

BLACK
  WHITE

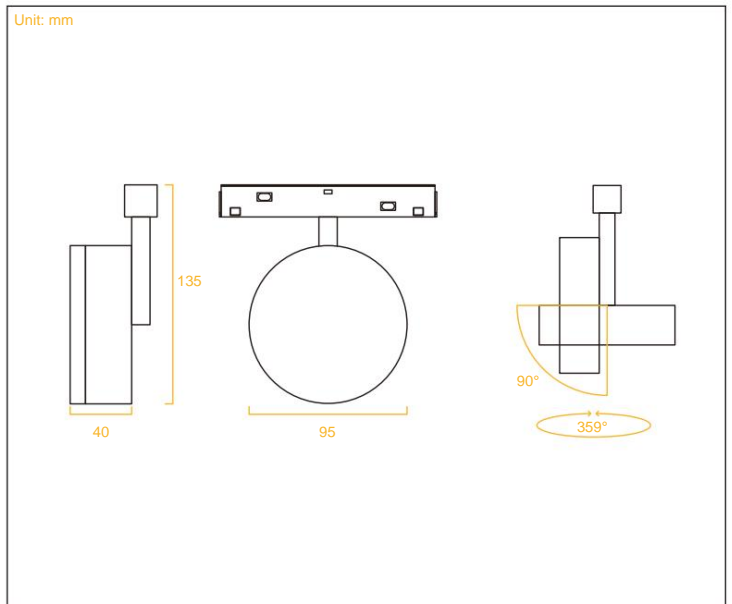


| Model NO. | Input - | System Power | led Power | CRI - | Beam Angle | CCT -              |
|-----------|---------|--------------|-----------|-------|------------|--------------------|
| HS-CXB90  | 48V     | 9W           | OSRAM     | Ray90 | 120°       | 3000K,4000K,More.. |



Track fill light - PLUS

BLACK
  WHITE

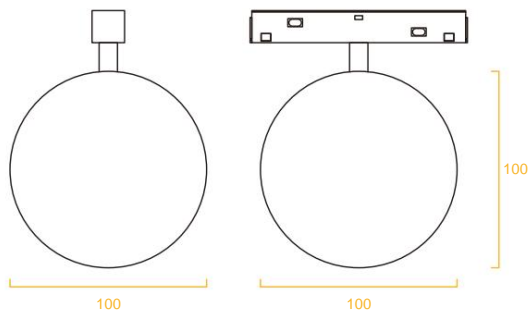


| Model NO. | Input - | System Power | led Power | CRI - | Beam Angle | CCT -              |
|-----------|---------|--------------|-----------|-------|------------|--------------------|
| HS-CXZ90  | 48V     | 9W           | OSRAM     | Ray90 | 120°       | 3000K,4000K,More.. |

# S20 MAGNETIC TRACK LAMP



Unit: mm



Half moon floodlight

BLACK
  WHITE

| Model NO. | Input | System Power | led Power | CRI   | Beam Angle | CCT                |
|-----------|-------|--------------|-----------|-------|------------|--------------------|
| HS-CX100F | 48V   | 7W           | OSRAM     | Ray90 | 180°       | 3000K,4000K,More.. |





# MAGNETIC SPOT LIGHT



**Bridgelux**  
LAMP BEADS



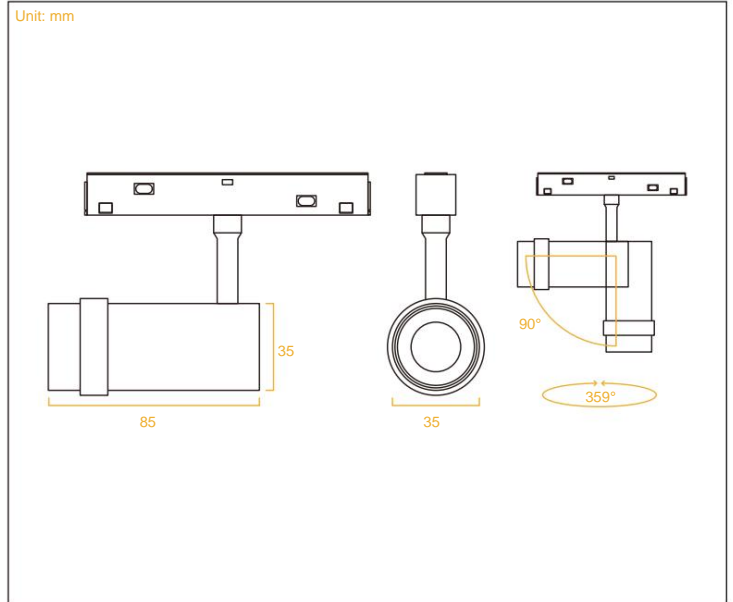
**15°-55°**  
BEAM ANGLE

# S20 MAGNETIC TRACK LAMP



Focus Track Light - 35 Caliber

BLACK
  WHITE

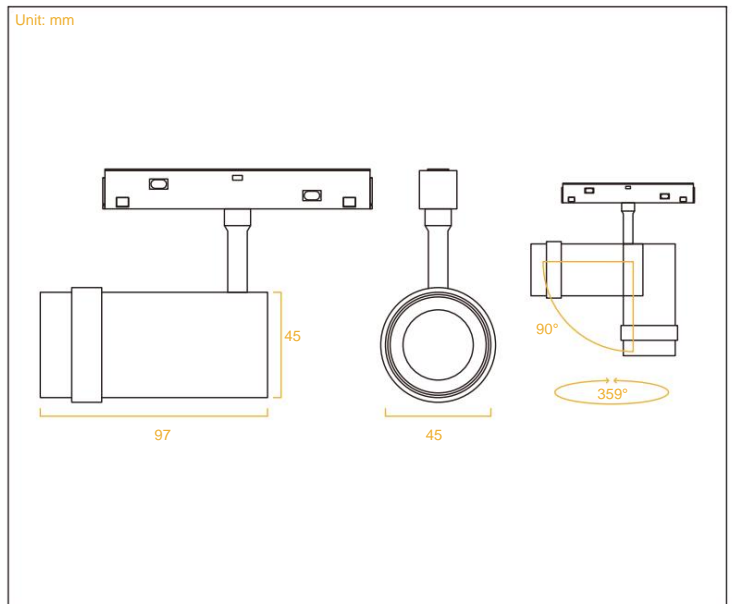


| Model NO. | Input - | System Power | led Power | CRI - | Beam Angle | CCT -              |
|-----------|---------|--------------|-----------|-------|------------|--------------------|
| HS-CXT035 | 48V     | 7W           | Bridgelux | Ra90  | 15°-50°    | 3000K,4000K,More.. |



Focus Track Light - 45 Caliber

BLACK
  WHITE



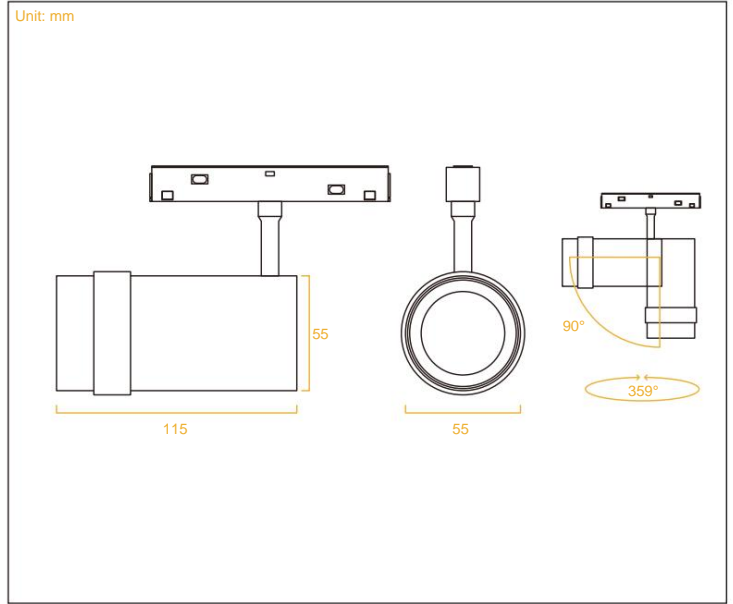
| Model NO. | Input - | System Power | led Power | CRI - | Beam Angle | CCT -              |
|-----------|---------|--------------|-----------|-------|------------|--------------------|
| HS-CXT045 | 48V     | 12W          | Bridgelux | Ra90  | 15°-50°    | 3000K,4000K,More.. |

# S20 MAGNETIC TRACK LAMP



Focusing track light - 55 caliber

BLACK
  WHITE

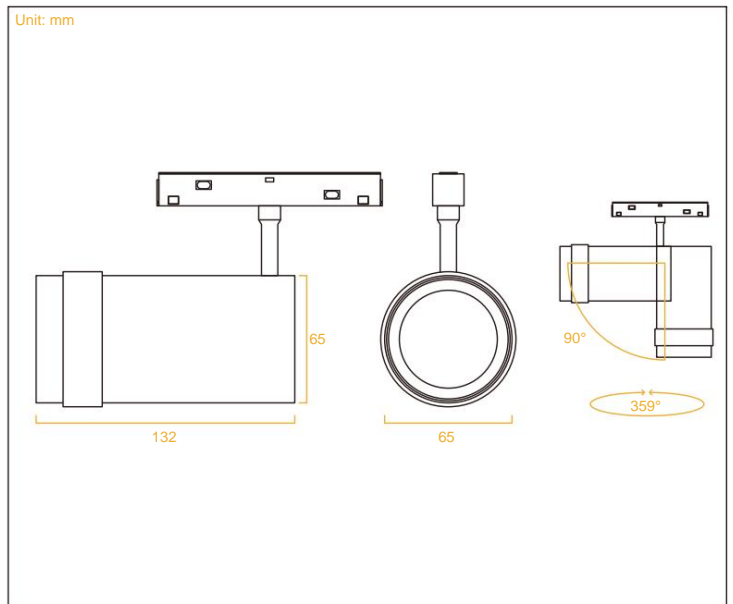


| Model NO. | Input - | System Power | led Power | CRI - | Beam Angle | CCT -              |
|-----------|---------|--------------|-----------|-------|------------|--------------------|
| HS-CXT055 | 48V     | 18W          | Bridgelux | Ra90  | 15°-55°    | 3000K,4000K,More.. |



Focus Track Light - 65 Caliber

BLACK
  WHITE



| Model NO. | Input - | System Power | led Power | CRI - | Beam Angle | CCT -              |
|-----------|---------|--------------|-----------|-------|------------|--------------------|
| HS-CXT065 | 48V     | 24W          | Bridgelux | Ra90  | 15°-55°    | 3000K,4000K,More.. |







**MAGNETIC  
SUSPENSION LIGHT**



**Bridgelux**  
LAMP BEADS



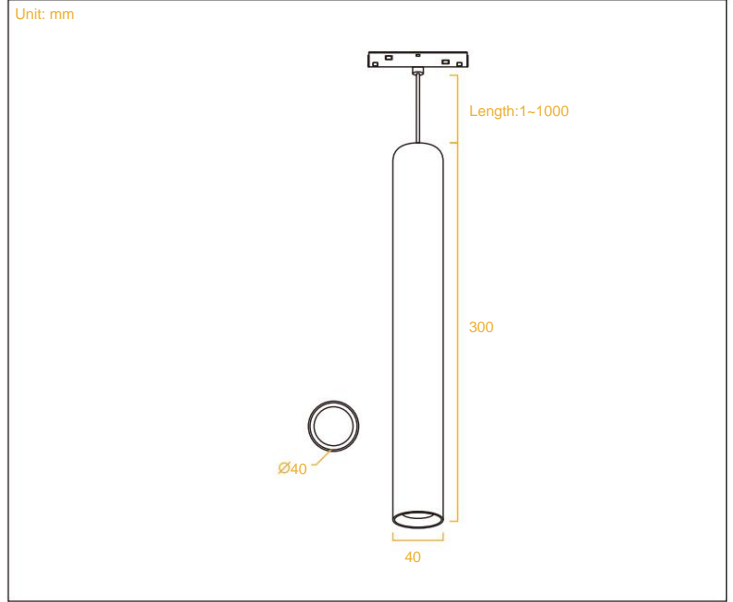
**24°**  
BEAM ANGLE

# S20 MAGNETIC TRACK LAMP



Straight chandelier

BLACK
  WHITE

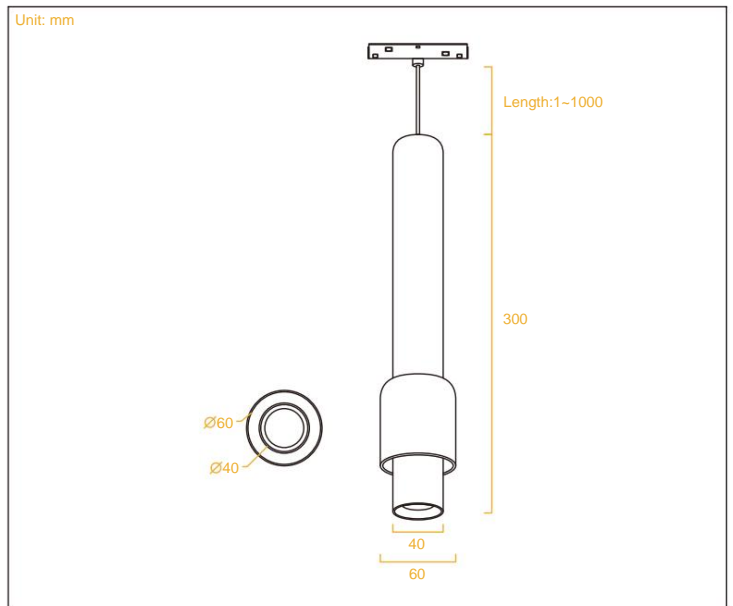


| Model NO. | Input | System Power | led Power | CRI  | Beam Angle | CCT                |
|-----------|-------|--------------|-----------|------|------------|--------------------|
| HS-CXD300 | 48V   | 12W          | Bridgelux | Ra90 | 24°        | 3000K,4000K,More.. |



Art Chandelier-Grenade

BLACK
  WHITE



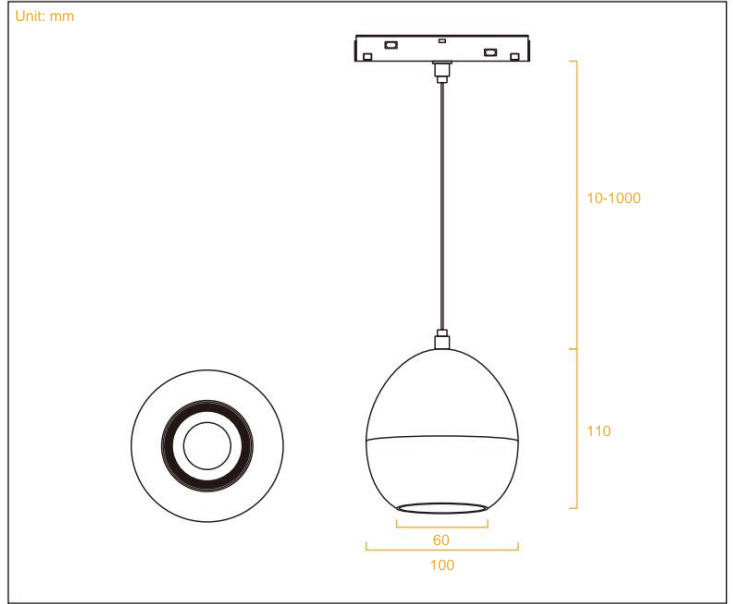
| Model NO.   | Input | System Power | led Power | CRI  | Beam Angle | CCT                |
|-------------|-------|--------------|-----------|------|------------|--------------------|
| HS-CXDSL300 | 48V   | 12W          | Bridgelux | Ra90 | 24°        | 3000K,4000K,More.. |

# S20 MAGNETIC TRACK LAMP



Round chandelier

BLACK
  WHITE

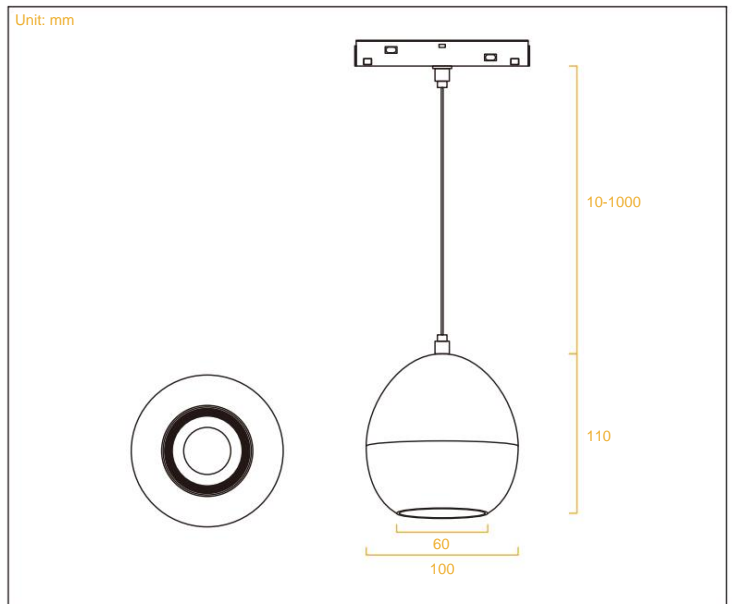


| Model NO.  | Input | System Power | led Power | CRI  | Beam Angle | CCT                |
|------------|-------|--------------|-----------|------|------------|--------------------|
| HS-CXDY100 | 48V   | 12W          | Bridgelux | Ra90 | 24°        | 3000K,4000K,More.. |



Round focus chandelier

BLACK
  WHITE



| Model NO.   | Input | System Power | led Power | CRI  | Beam Angle | CCT                |
|-------------|-------|--------------|-----------|------|------------|--------------------|
| HS-CXDYT100 | 48V   | 12W          | Bridgelux | Ra90 | 10°- 55°   | 3000K,4000K,More.. |

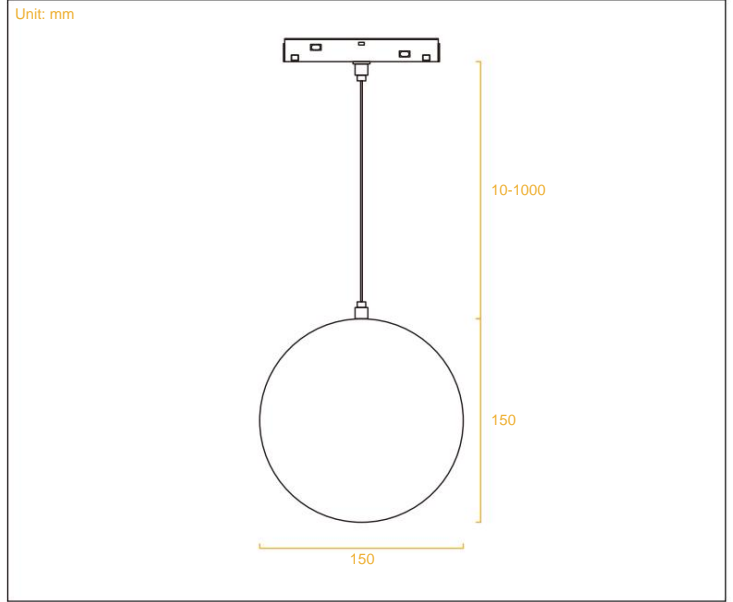


# S20 MAGNETIC TRACK LAMP



Globe chandelier

BLACK
  WHITE

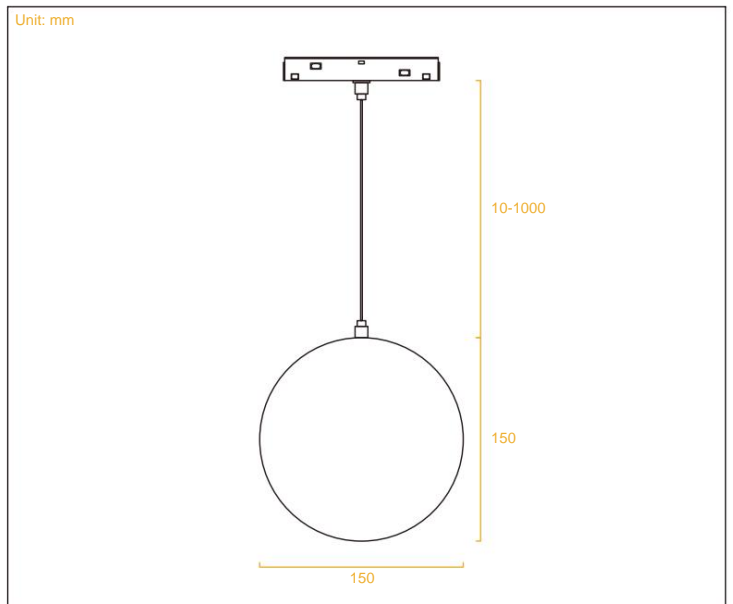


| Model NO.    | Input | System Power | led Power | CRI  | Beam Angle | CCT                |
|--------------|-------|--------------|-----------|------|------------|--------------------|
| HS-CXD150-DQ | 48V   | 7W           | OSRAM     | Ra90 | 350°       | 3000K,4000K,More.. |



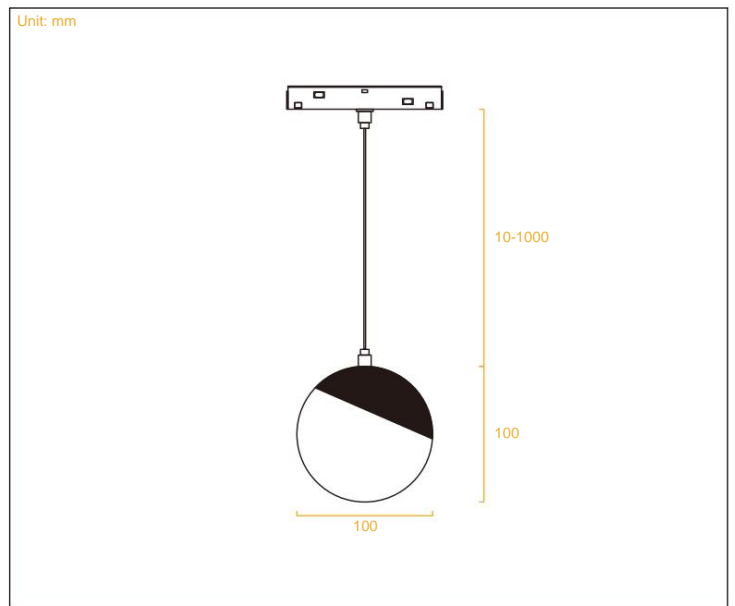
Moon chandelier

BLACK
  WHITE



| Model NO.    | Input | System Power | led Power | CRI  | Beam Angle | CCT                |
|--------------|-------|--------------|-----------|------|------------|--------------------|
| HS-CXD150-YQ | 48V   | 7W           | OSRAM     | Ra90 | 350°       | 3000K,4000K,More.. |

# S20 MAGNETIC TRACK LAMP



Half moon floodlight chandelier

BLACK
  WHITE

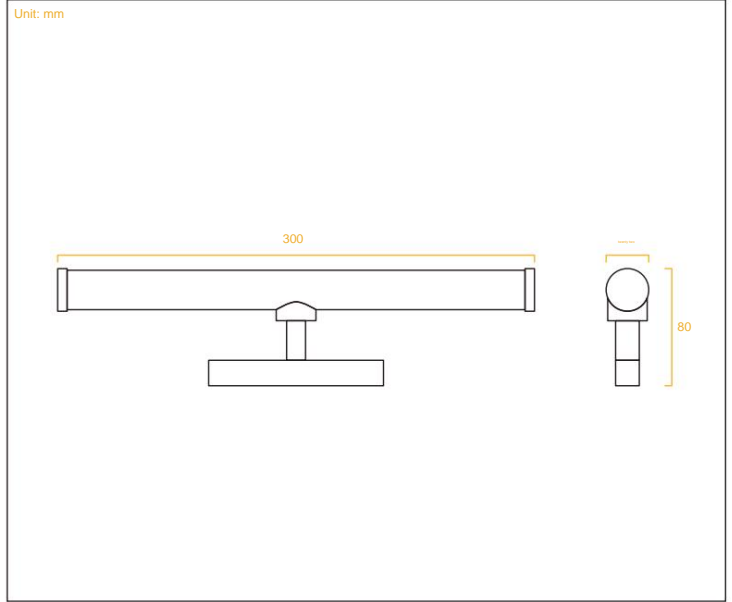
| Model NO.  | Input | System Power | led Power | CRI  | Beam Angle | CCT                |
|------------|-------|--------------|-----------|------|------------|--------------------|
| HS-CXD100F | 48V   | 7W           | OSRAM     | Ra90 | 180°       | 3000K,4000K,More.. |



**MAGNETIC  
LIGHT TUBE**



# S20 MAGNETIC TRACK LAMP



Floodlight



BLACK



WHITE

| Model NO.   | Input - | System Power | led Power | CRI - | Beam Angle | CCT -              |
|-------------|---------|--------------|-----------|-------|------------|--------------------|
| HS26-SS300F | 48V     | 10W          | ORSAM     | Ra90  | 180°       | 3000K,4000K,More.. |



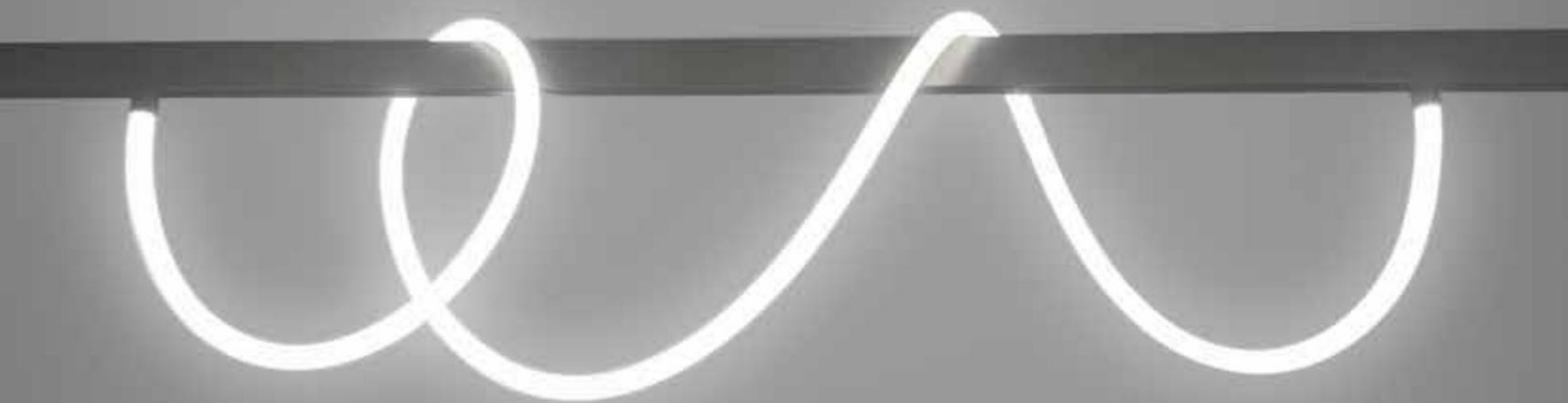
HS26-SS900F/30W



HS26-SS600F/20W

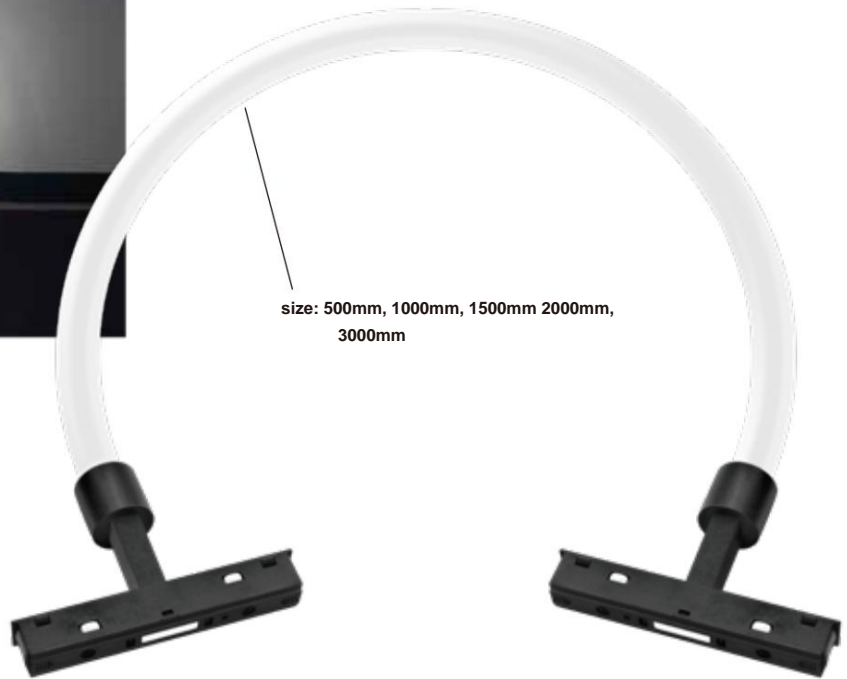
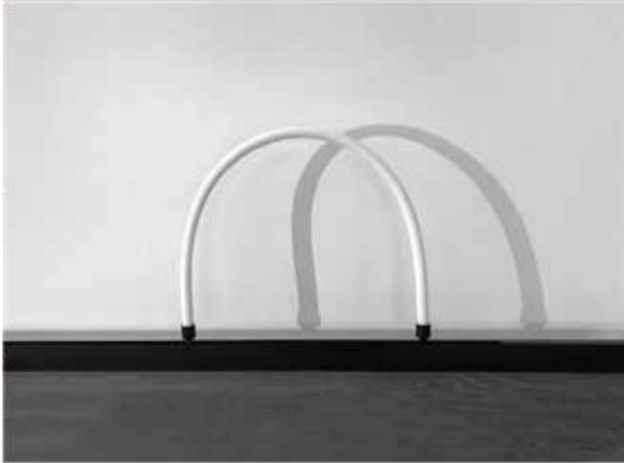


HS26-SS300F/10W



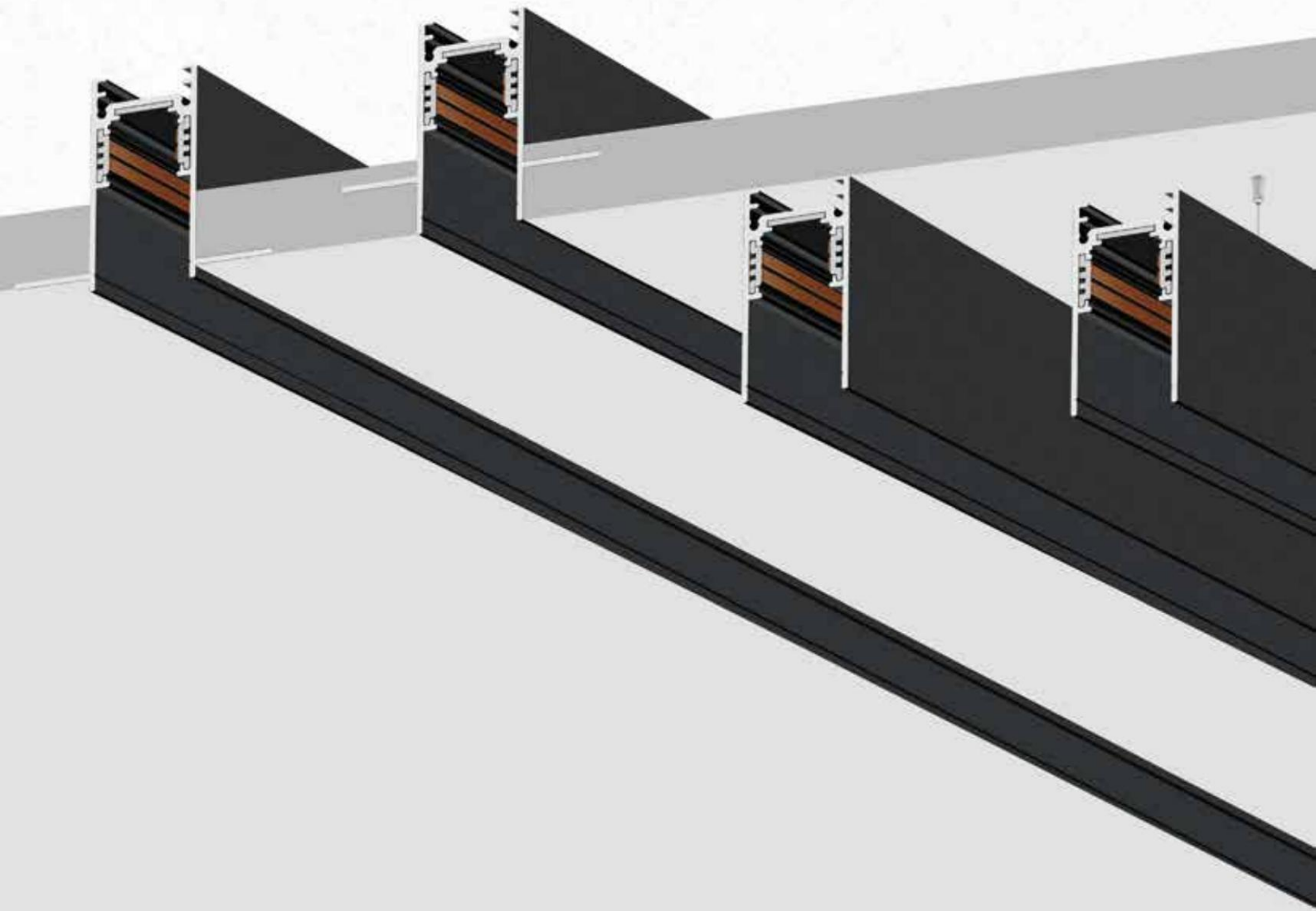
**MAGNETIC  
SOFT LIGHT TUBE**

# S20 MAGNETIC TRACK LAMP



## Luminous tube

| Model NO.   | Input - | System Power | led Power | CRI - | Beam Angle | CCT -              |
|-------------|---------|--------------|-----------|-------|------------|--------------------|
| HS26-GJ500  | 48V     | 8W           | TD        | Ra90  | 360°       | 3000K,4000K,More.. |
| HS26-GJ1000 |         | 16W          |           |       |            |                    |
| HS26-GJ1500 |         | 24W          |           |       |            |                    |
| HS26-GJ2000 |         | 32W          |           |       |            |                    |
| HS26-GJ3000 |         | 48W          |           |       |            |                    |



## MAGNETIC ORBIT

Various styles of magnetic track installation

# S20 MAGNETIC TRACK LAMP



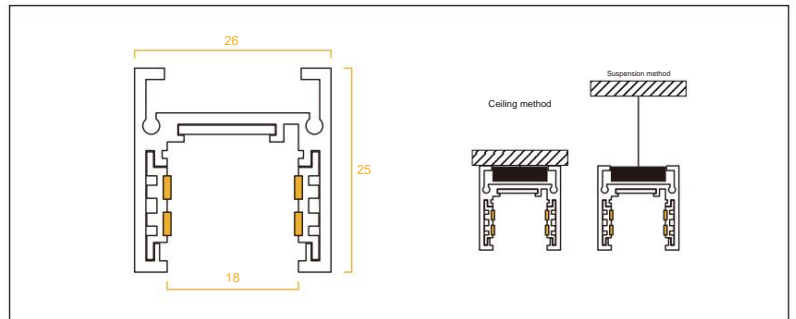
## Short Model - Exposed Track

■ BLACK    □ WHITE

Installation method: Frameless embedded/surface mounted/ceiling mounted

Model NO.        HS-26A

Track Length     100cm, 150cm, 200cm, 300cm

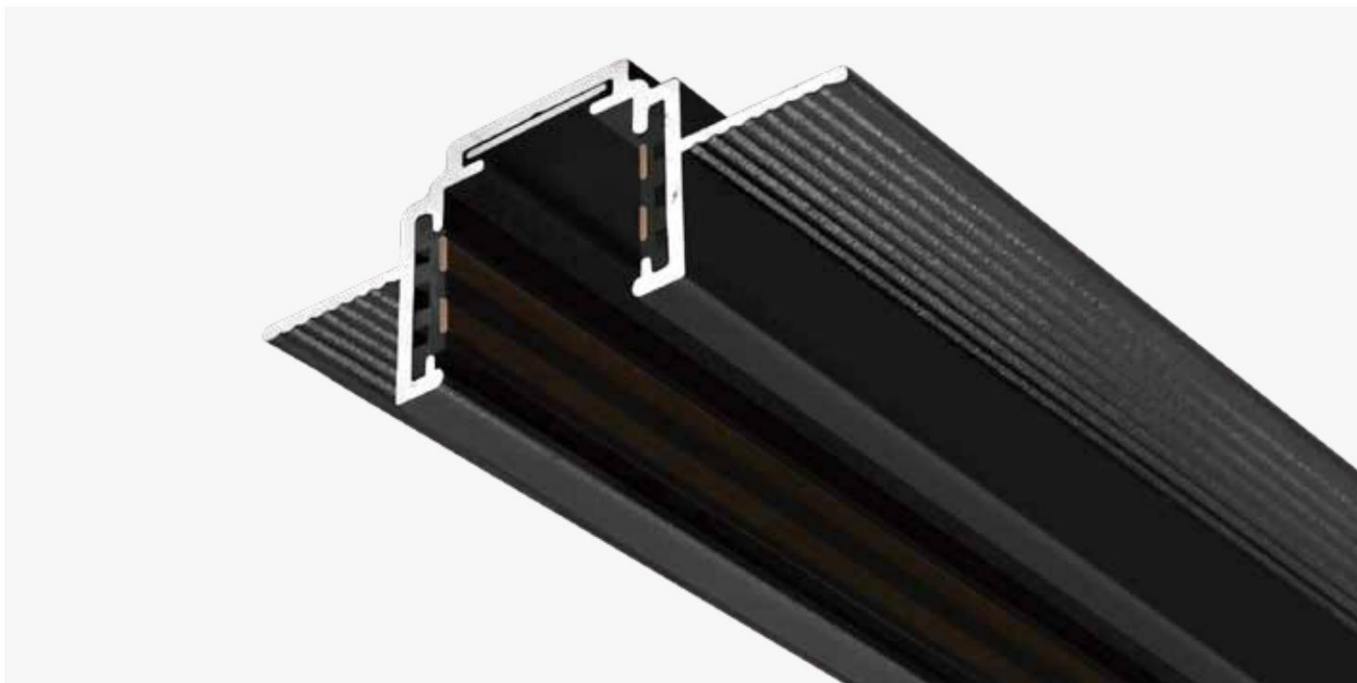


Low surface-mounted - horizontal



Low surface-mounted - vertical

# S20 MAGNETIC TRACK LAMP



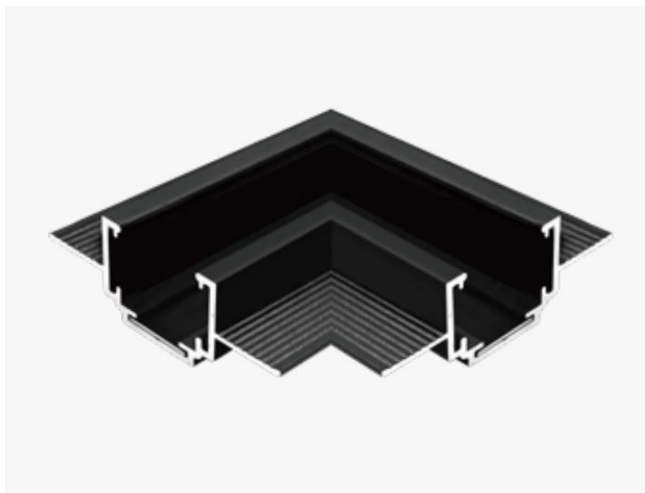
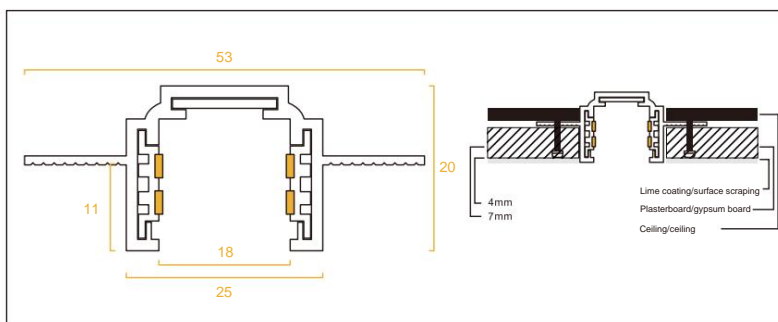
## Short Model-Concealed Track

BLACK
  WHITE

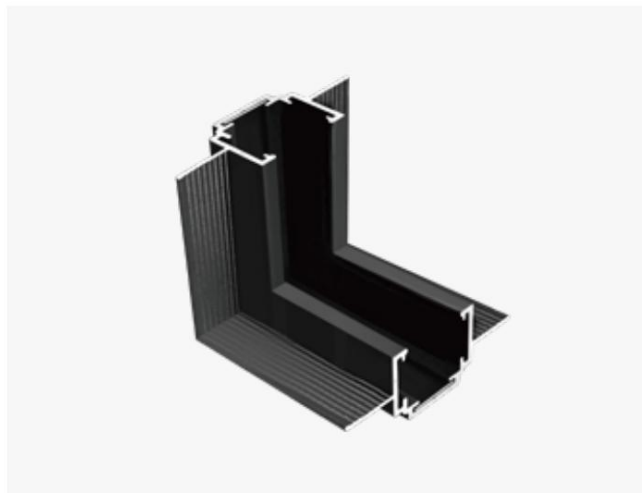
Installation method: Frameless embedded/surface mounted/ceiling mounted

Model NO. HS-26B

Track Length 100cm, 150cm, 200cm, 300cm

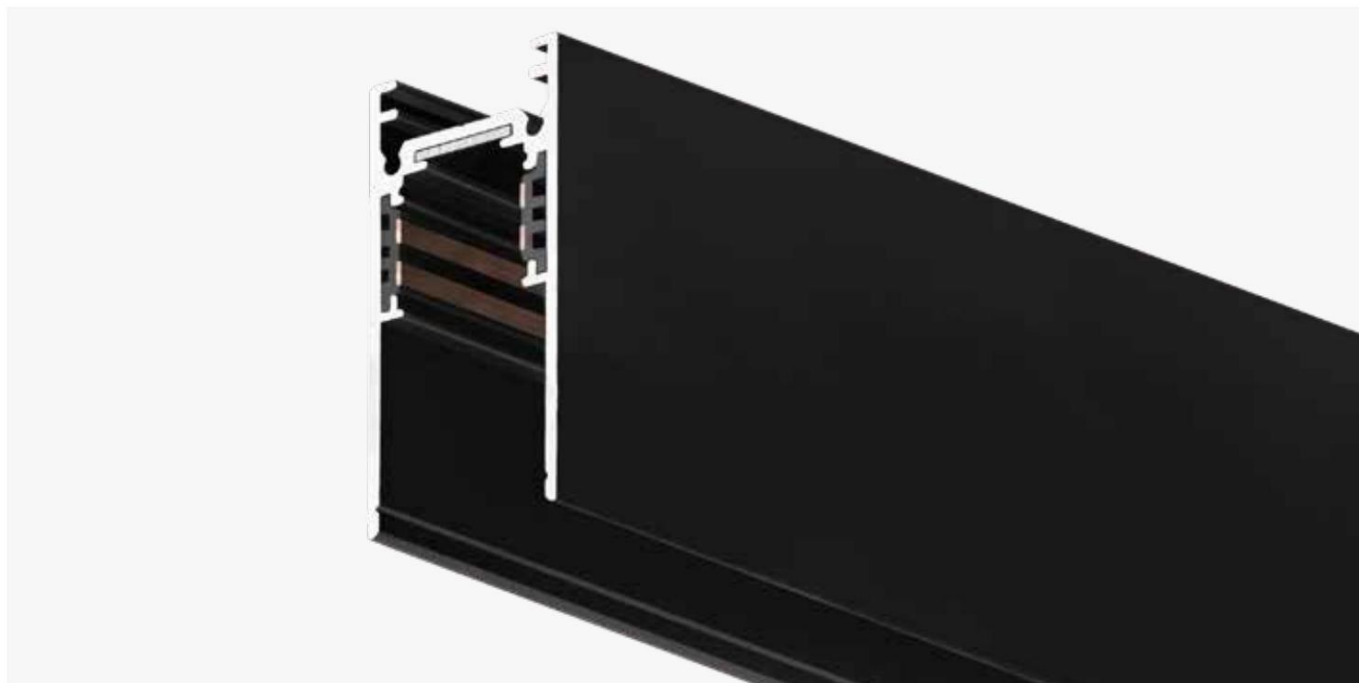


Short concealed installation horizontal



Low concealed installation vertical

# S20 MAGNETIC TRACK LAMP



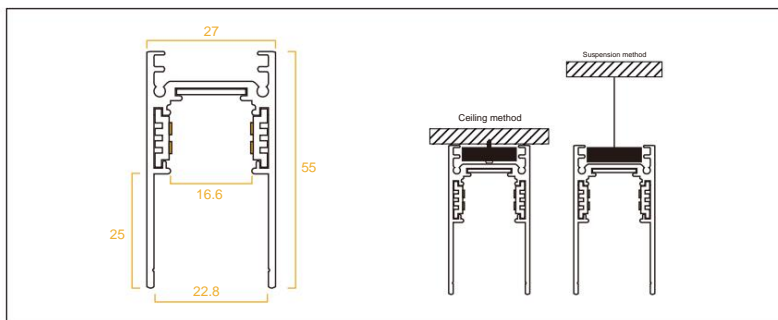
Surface mounted track

BLACK
  WHITE

Installation method: Frameless embedded/surface mounted/ceiling mounted

Model NO. HS-26C

Track Length 100cm, 150cm, 200cm, 300cm



Surface-mounted - horizontal



Surface mounted-vertical corner

# S20 MAGNETIC TRACK LAMP



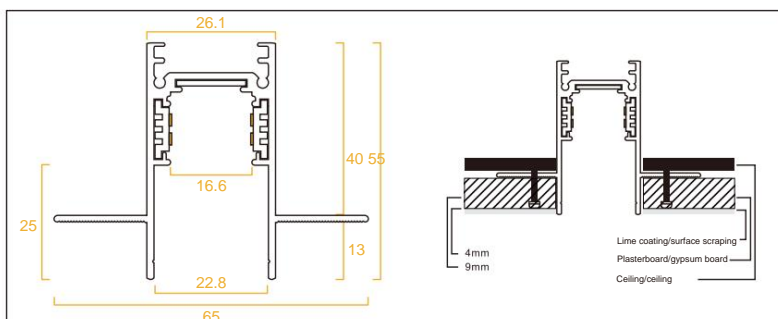
Concealed track

■ BLACK □ WHITE

Installation method: embedded/concealed installation

Model NO. HS-26D

Track Length 100cm, 150cm, 200cm, 300cm



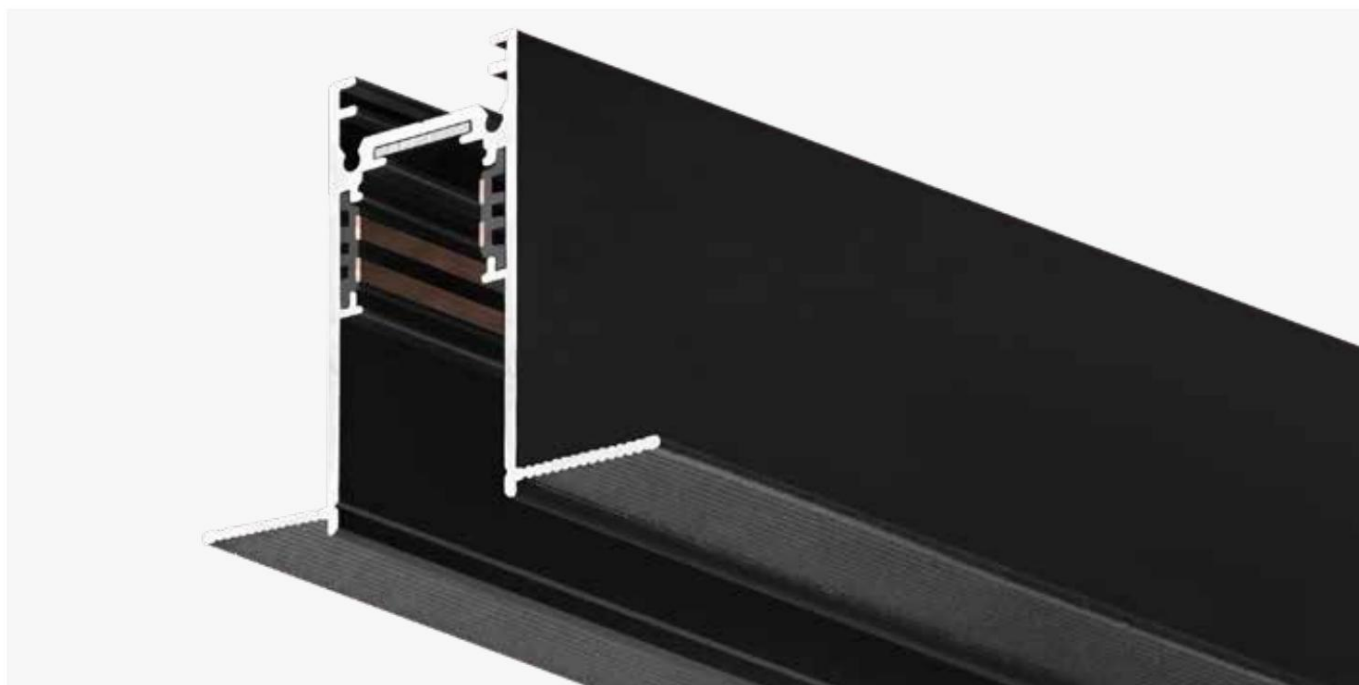
Concealed installation - horizontal



Concealed installation - vertical



# S20 MAGNETIC TRACK LAMP



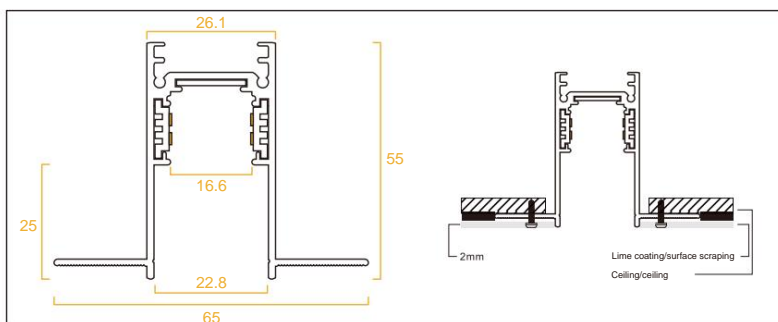
Criticism track

■ BLACK □ WHITE

Installation method: framed embedded/patch gray type

Model NO. HS-26E

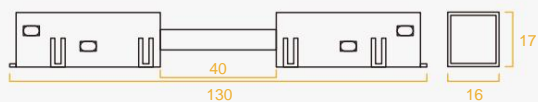
Track Length 100cm, 150cm, 200cm, 300cm



Horizontal corner

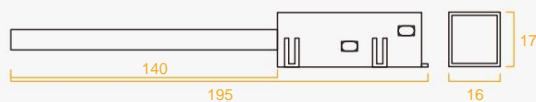


Vertical corner



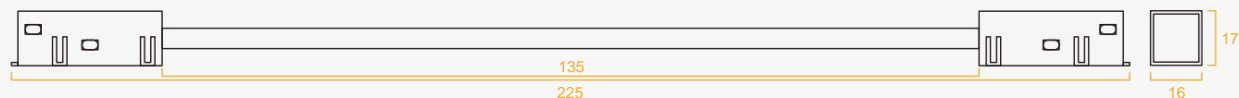
**Magnetic direct head**

Connection energized module between two rails



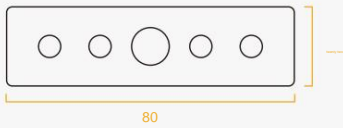
**Magnetic power supply module**

The external transformer is connected to one end of the module line, and the plastic end of the module is connected to the track, so that the track forms a low voltage of 48V.



**Magnetic soft joint**

Used with a 90° angle, the connection power module between the two tracks



**Track connection reinforcement**

The splicing reinforcement between the two rails is used on the back of the two rails and is usually used for surface-mounted rails.



**Orbital hoisting wire**

The surface-mounted track is used so that the track can be hoisted by at least two suspension lines. The hoisting of the track can only be achieved by using it at the same time.



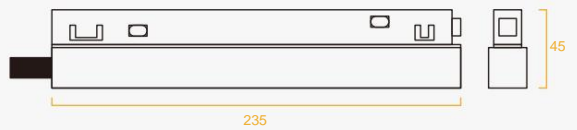
## DC 48V

### Embedded rail transformer

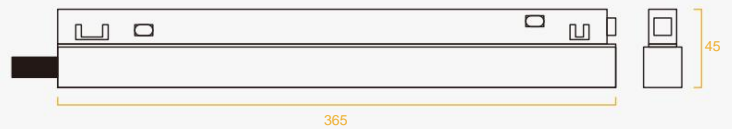
The input voltage is 85-220V and the output voltage is 48V.

It is used to step down the track strip so that the track forms a low voltage of 48V.

**Integrated power supply 100W**



**Integrated power supply 200W**



### Note tips

The total number of watts of all lamps in the same track system cannot be higher than the number of watts of the transformer.



# MAGNETIC TRACK LIGHTS

## ABCLED

## 2024